



JDV  
CONTROL  
VALVES



# JBF-K / JBF-KM Type

Floating Type **Soft Metal** Seat Steam Jacket Ball Valve



*We link all you need  
and more than you expect.*



# **JBF-K / JBF-KM**

## **Floating Type Metal/Soft-Seat Steam Jacket Ball Valve**

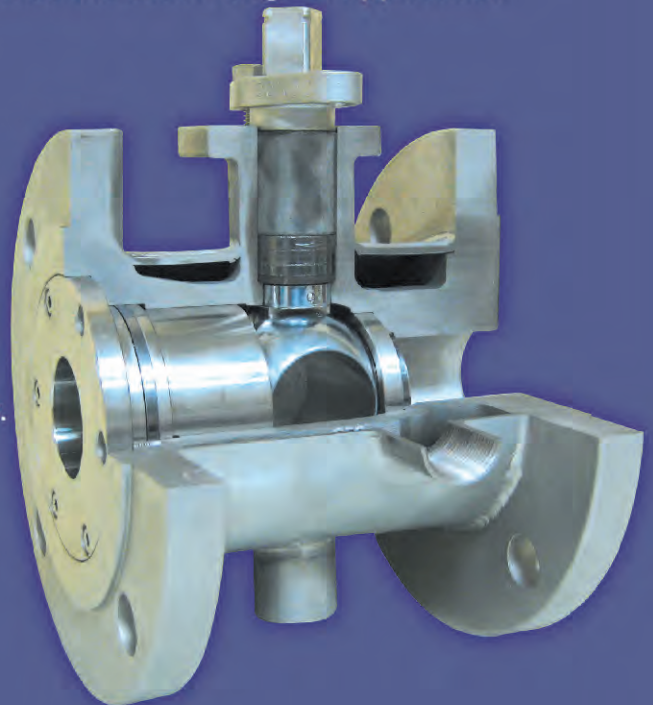
### **Full-Bore One-Piece Flanged Ends**

### **JIS 10/20K ANSI-150/300LB**

**JBF-K / JBF-KM** Type ball valves are designed for keeping fluid in specific temperature during the process. Optional seat materials provide the wider range of application to satisfy various industrial environments.

### **Product Features**

1. 1-PC valve body prevents the leakage from joint side
2. Fully jacketed design keeps the fluid temperature heated or cooled evenly.
3. Seats are available in soft-seat and metal-seat designs.
4. Anti-Static design
5. Anti-blow out stem design (Size 2-1/2" and above)
6. ISO 5211 mounting pad
7. Fire Safe design



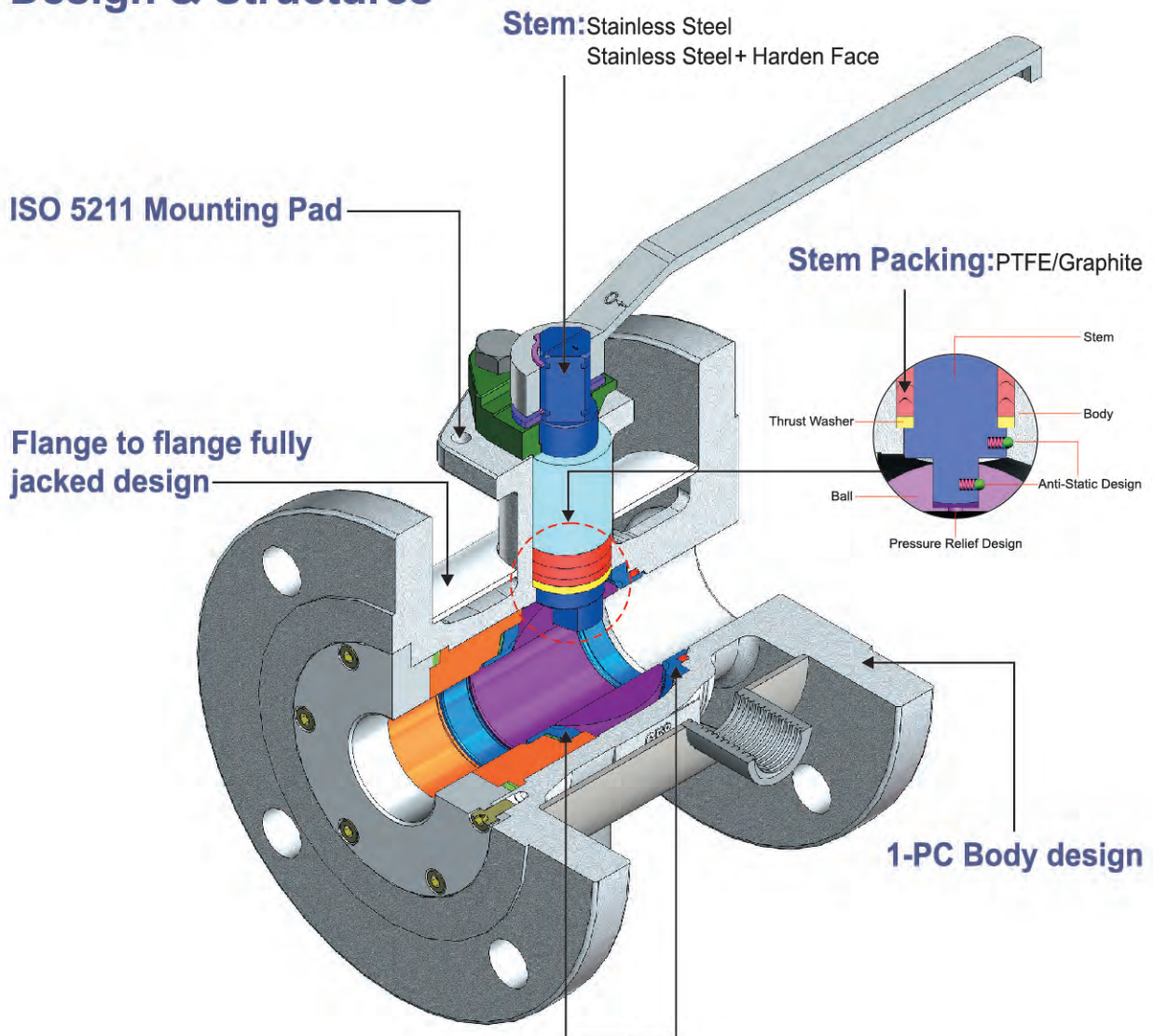
### **Applicable Standards**

- Body Material: Standard in CF8, CF8M. Other materials are available according to requirements.
- Nominal Size: 1/2" to 8" (DN15 to DN200)
- Pressure Rating: JIS 10/20K ASME CLASS 150/300
- End Connections: RF
- Temperature Range: Soft Seat: -20~356°F (-29~180°C)  
Metal Seat: -20~661°F (-29~350°C)
- Face-to-face Dimensions: JIS B2002 / ASME B16.10
- Flanged Dimensions: JIS B2220 / ASME B16.5
- Body Pressure Test: JIS B2003 / ASME B16.34 / API 6D
- Seat Leakage Test: Soft Seat: API 598  
Metal Seat: ANSI B16.104 / FCI70-2 Class V
- Casting: MSS-SP-25 / MSS-SP-55
- Fire Safe Design: : ISO 10497

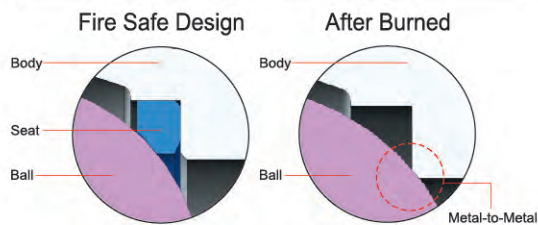
## Applications

- 1.Heat the fluids not to solidify
- 2.Cool the volatile fluids •

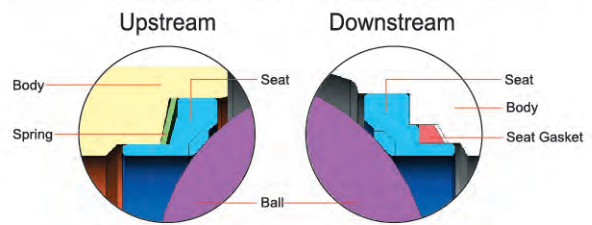
## Design & Structures



### Soft-Seat Design

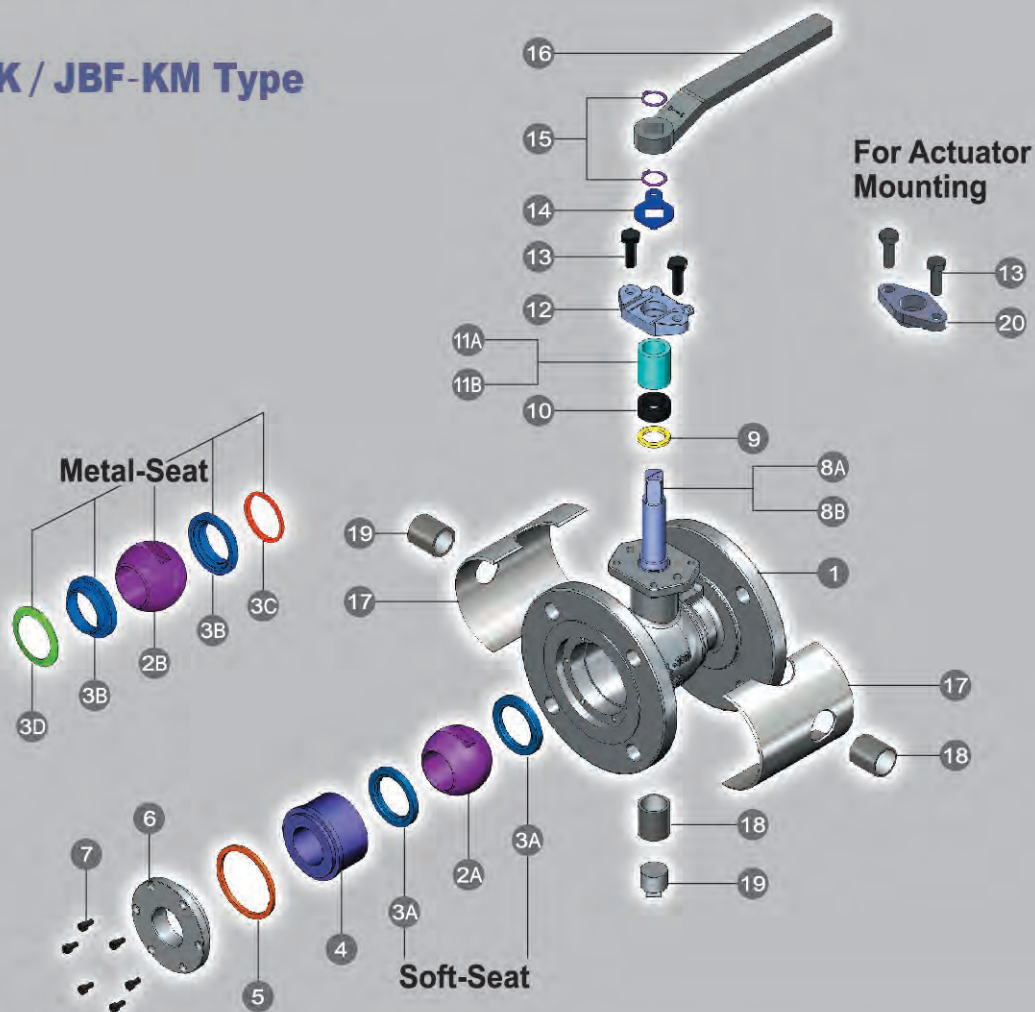


### Metal-Seat Design





## JBF-K / JBF-KM Type

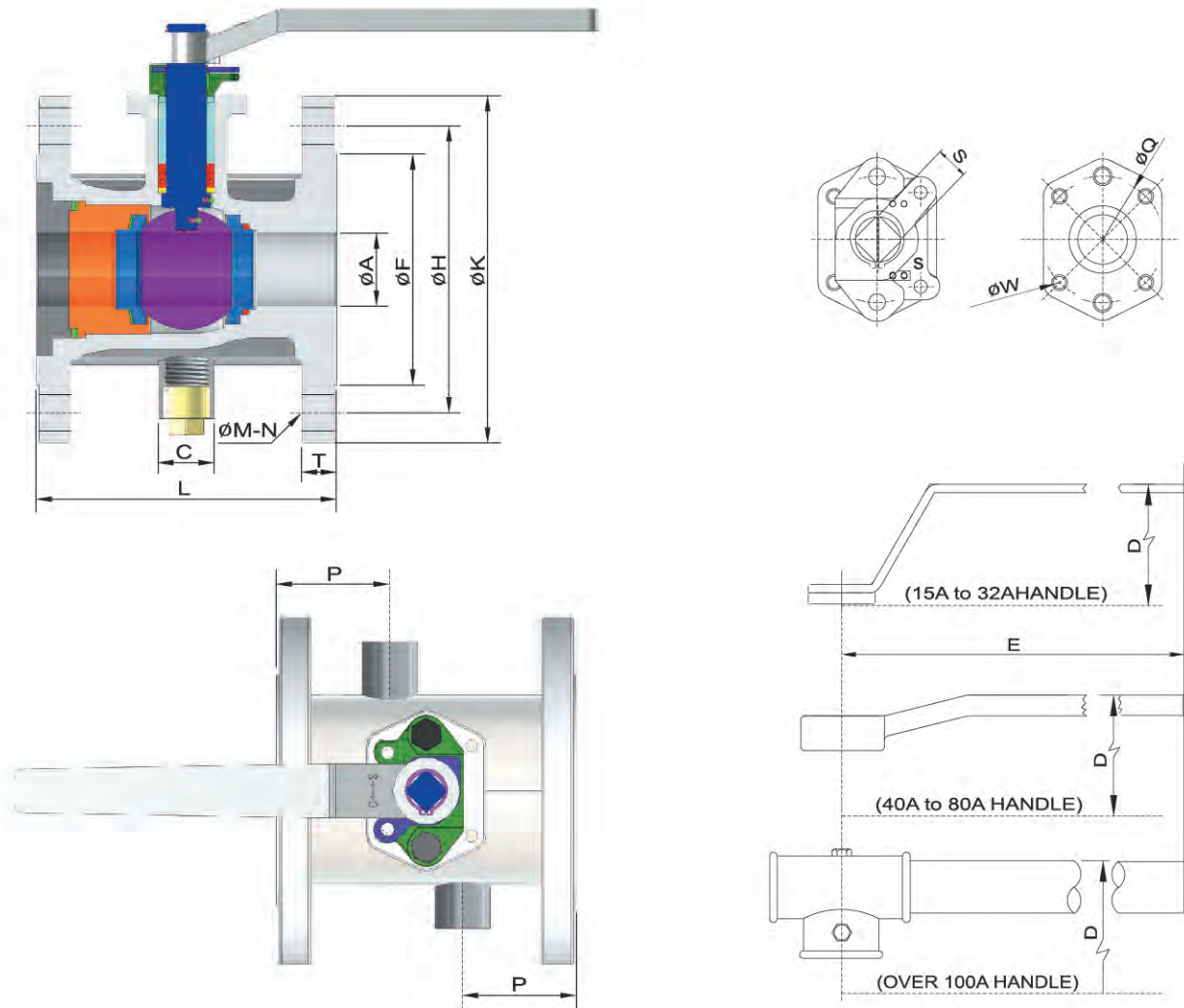


### MATERIAL

NO	PARTS NAME	MATERIAL 材質	
1	BODY	ASTM A351-CF8	ASTM A351-CF8M
2A	SOFT-SEAT	BALL	ASTM A351-CF8
3A		SEAT	PTFE/R-PTFE/TFM-1600/PEEK
2B	METAL-SEAT	BALL	ASTM A351-CF8+HCr
3B		SEAT	ASTM A351-CF8+STELLITE
3C		SEAT PACKING	GRAPHITE
3D		SEAT SPRING	INCONEL X750
4	SEAT SUPPORT	ASTM A351-CF8	ASTM A351-CF8M
5	GASKET	PTFE/GRAPHITE	
6	CAP	ASTM A351-CF8	ASTM A351-CF8M
7	BOLT	STAINLESS STEEL	
8A	SOFT-SEAT	STEM	SUS 304
8B	METAL-SEAT		SUS304+HARDEN FACE
9	THRUST WASHER	SUS 316+HARDEN FACE	
10	STEM PACKING	PTFE/GRAPHITE	
11A	SOFT-SEAT	RING	SUS 304
11B	METAL-SEAT		SUS304+HARDEN FACE
12	MANUAL GLAND	ASTM A351-CF8	
13	GLAND BOLT	SUS 304	
14	TRAVEL STOP	SUS 304	
15	SNAP CATCH	SUS 304	
16	HANDLE	FCD45(15A~80A)/SGP/FCD(100A~200A)	
17	JACKET	SUS 304	
18	NIPPLE JOINT	SUS 304	
19	PLUG	SUS 304	
20	ACTUATOR GLAND	SUS 304	

Notes: HCr = Hard Chrome Plated

Above materials may vary with different using conditions.



**DIMENSIONS (JIS-10K)**

**(M.M.)**

PORT SIZE	FLANGE SIZE	A	D	S	E	L	K	T	H	F	M	N	Q	W	P	C		
15	1/2"	40	1-1/2"	15	63	10	130	108	140	16	105	81	19	4	42	M5	41	NPT 1/2"
20	3/4"	40	1-1/2"	20	68	10	130	117	140	16	105	81	19	4	42	M5	45.5	NPT 1/2"
25	1"	50	2"	25	76	12	160	127	155	16	120	96	19	4	50	M6	50.5	NPT 3/4"
40	1-1/2"	65	2-1/2"	38	88	17	224	165	175	18	140	116	19	4	70	M8	62.5	NPT 3/4"
50	2"	80	3"	50	94	17	224	175	185	18	150	126	19	8	70	M8	68	NPT 3/4"
65	2-1/2"	100	4"	65	115	20	324	190	210	18	175	151	19	8	70	M8	75	NPT 3/4"
80	3"	125	5"	76	120	20	324	203	250	20	210	182	23	8	70	M8	82	NPT 3/4"
100	4"	150	6"	100	195	27	400	229	280	22	240	212	23	8	102	M10	82.5	NPT 3/4"
150	6"	200	8"	150	240	32	550	394	330	22	290	262	23	12	125	M12	157	NPT 3/4"
200	8"	300	12"	200	300	35	1000	457	445	24	400	368	23	16	140	M16	173.5	NPT 3/4"

**DIMENSIONS (JIS-20K)**

**(M.M.)**

PORT SIZE	FLANGE SIZE	A	D	S	E	L	K	T	H	F	M	N	Q	W	P	C		
15	1/2"	40	1-1/2"	15	63	10	130	140	140	18	105	81	19	4	42	M5	57	NPT 1/2"
20	3/4"	40	1-1/2"	20	68	10	130	152	140	18	105	81	19	4	42	M5	63	NPT 1/2"
25	1"	50	2"	25	76	12	160	165	155	18	120	96	19	8	50	M6	69.5	NPT 3/4"
40	1-1/2"	65	2-1/2"	38	88	17	224	190	175	20	140	116	19	8	70	M8	75	NPT 3/4"
50	2"	80	3"	50	94	17	224	216	200	22	160	132	23	8	70	M8	87	NPT 3/4"
65	2-1/2"	100	4"	65	115	20	324	241	225	24	185	160	23	8	70	M8	100.5	NPT 3/4"
80	3"	125	5"	76	120	20	324	283	270	26	225	195	25	8	70	M8	122	NPT 3/4"
100	4"	150	6"	100	195	27	400	305	305	28	260	230	25	12	102	M10	120.5	NPT 3/4"
150	6"	200	8"	150	240	32	550	403	350	30	305	275	25	12	125	M12	161.5	NPT 3/4"
200	8"	300	12"	200	300	35	1000	502	480	36	430	395	27	16	140	M16	196	NPT 3/4"



# JDV CONTROL VALVES

## DIMENSIONS (ANSI-150LB)

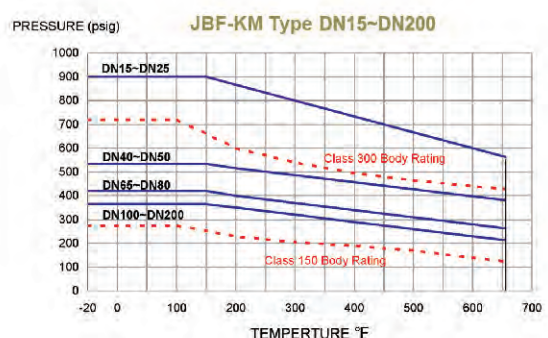
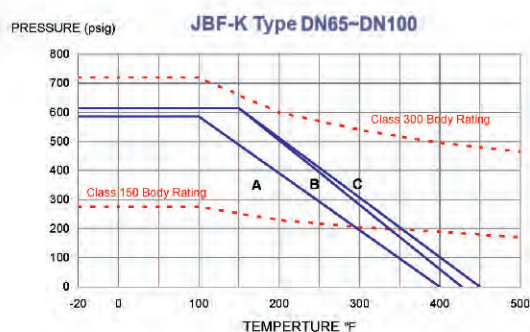
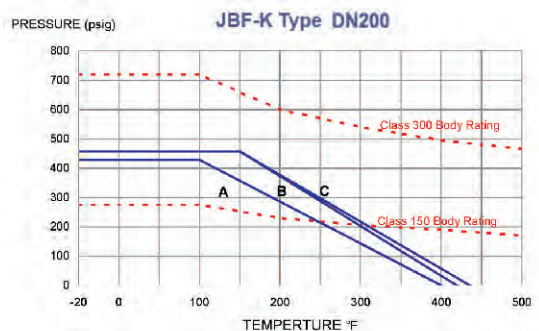
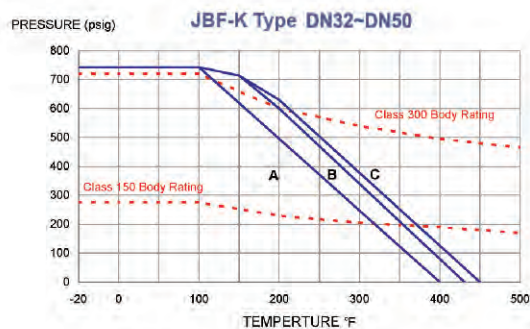
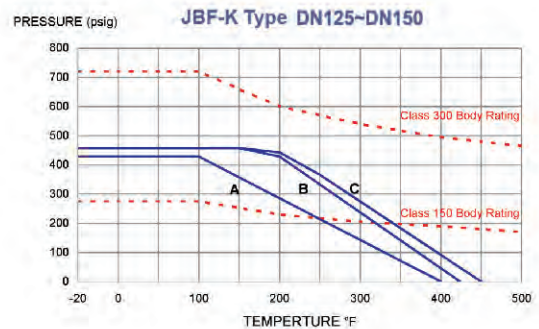
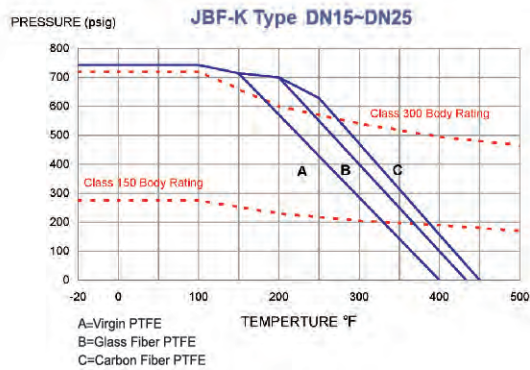
(M.M.)

PORT SIZE	FLANGE SIZE	A	D	S	E	L	K	T	H	F	M	N	Q	W	P	C		
15	1/2"	40	1-1/2"	15	63	10	130	108	127	14.3	98.5	73	16	4	42	M5	41	NPT 1/2"
20	3/4"	40	1-1/2"	20	68	10	130	117	127	14.3	98.5	73	16	4	42	M5	45.5	NPT 1/2"
25	1"	50	2"	25	76	12	160	127	152	15.9	120.5	92	19	4	50	M6	50.5	NPT 3/4"
40	1-1/2"	65	2-1/2"	38	88	17	224	165	178	17.5	139.5	105	19	4	70	M8	62.5	NPT 3/4"
50	2"	80	3"	50	94	17	224	178	190	19.1	152.5	127	19	4	70	M8	68	NPT 3/4"
65	2-1/2"	100	4"	65	115	20	324	190	229	23.9	190.5	157	19	8	70	M8	75	NPT 3/4"
80	3"	125	5"	76	120	20	324	203	254	23.9	216	186	22	8	70	M8	82	NPT 3/4"
100	4"	150	6"	100	195	27	400	229	279	25.4	241.5	216	22	8	102	M10	82.5	NPT 3/4"
150	6"	200	8"	150	240	32	550	394	343	28.6	298.5	270	22	8	125	M12	157	NPT 3/4"
200	8"	300	12"	200	300	35	1000	457	483	31.8	432	381	25	12	140	M16	173.5	NPT 3/4"

## DIMENSIONS (ANSI-300LB)

(M.M.)

PORT SIZE	FLANGE SIZE	A	D	S	E	L	K	T	H	F	M	N	Q	W	P	C		
15	1/2"	40	1-1/2"	15	63	10	130	140	156	20.7	114.5	73	22	4	42	M5	57	NPT 1/2"
20	3/4"	40	1-1/2"	20	68	10	130	152	156	20.7	114.5	73	22	4	42	M5	63	NPT 1/2"
25	1"	50	2"	25	76	12	160	165	165	22.3	127	92	19	8	50	M6	69.5	NPT 3/4"
40	1-1/2"	65	2-1/2"	38	88	17	224	190	190	25.4	149	105	22	8	70	M8	75	NPT 3/4"
50	2"	80	3"	50	94	17	224	216	210	28.6	168	127	22	8	70	M8	87	NPT 3/4"
65	2-1/2"	100	4"	65	115	20	324	241	254	31.8	200	157	22	8	70	M8	100.5	NPT 3/4"
80	3"	125	5"	76	120	20	324	283	279	35	235	186	22	8	70	M8	122	NPT 3/4"
100	4"	150	6"	100	195	27	400	305	318	36.6	270	216	22	12	102	M10	120.5	NPT 3/4"
150	6"	200	8"	150	240	32	550	403	381	41.3	330	270	25	12	125	M12	161.5	NPT 3/4"
200	8"	300	12"	200	300	35	1000	502	521	50.8	451	381	32	16	140	M16	196	NPT 3/4"



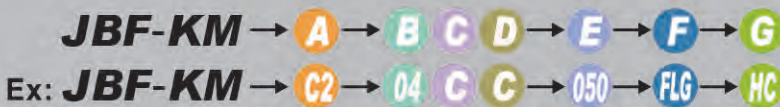
## HOW TO ORDER



A. SPECIFICATION	B. BODY MAT'L	C. BALL & STEM MAT'L	D. SEAT MAT'L
A1 JIS 10K	03 CF8 (1.4308)	A CF8	P PTFE
A2 JIS 20K	04 CF8M (1.4408)	C CF8M	G 15% GLASS FIBER +PTFE
C1 ANSI 150LB	00 CF3 (1.4306)	D CF3	C 15% CARBON +PTFE
C2 ANSI 300LB	06 CF3M (1.4404)	E CF3M	S 50% SS316+50% PTFE
	07 CG8M (1.4412)	F CG8M	T TFM-1600
	08 CG3M	H CG3M	E PEEK

E. SIZE:PORTxFLANGE	F. OPTION
015 1/2" x1-1/2"	F FIRE SAFE
020 3/4" x1-1/2"	L LONG STEM
025 1" x2"	I LIVE LOADING
040 1-1/2" x2-1/2"	H LEVER
050 2" x3"	G GEAR
065 2-1/2" x4"	
080 3" x5"	
100 4" x6"	
150 6" x8"	
200 8" x12"	



A. SPECIFICATION	B. BODY MAT'L	C. BALL & STEM MAT'L	D. SEAT MAT'L	E. SIZE:PORTxFLANGE
A1 JIS 10K	03 CF8 (1.4308)	A CF8	A CF8	015 1/2" x1-1/2"
A2 JIS 20K	04 CF8M (1.4408)	C CF8M	C CF8M	020 3/4" x1-1/2"
C1 ANSI 150LB	05 CF3 (1.4306)	D CF3	D CF3	025 1" x2"
C2 ANSI 300LB	06 CF3M (1.4404)	E CF3M	E CF3M	040 1-1/2" x2-1/2"
	07 CG8M (1.4412)	F CG8M	F CG8M	050 2" x3"
	08 CG3M	H CG3M	H CG3M	065 2-1/2" x4"
				080 3" x5"
				100 4" x6"
				150 6" x8"
				200 8" x12"

F. OPTION	G. COATING
F FIRE SAFE	HC HCR BALL+STELLITE SEAT
L LONG STEM	TC TC BALL+TC SEAT
I LIVE LOADING	
H LEVER	
G GEAR	

HOW TO ORDER



■ HEADQUARTERS

NO. 6-1, QINGNIAN RD., YANGMEI DIST., TAOYUAN CITY 326, TAIWAN  
TEL +886-3-4965066 FAX +886-3-4963526 E-MAIL: sales@jdv.com.tw



Copyright 2021/05. All rights are reserved by JDV.  
The technical data and content may be changed without prior notice.