

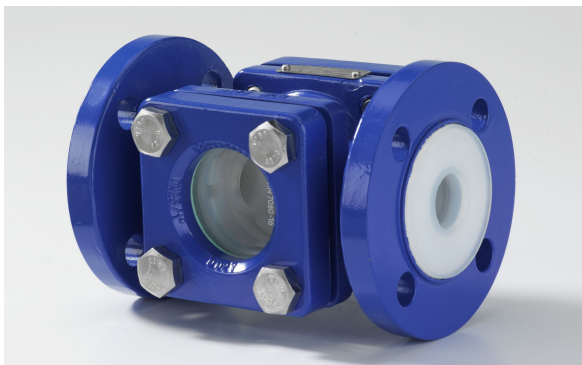
## 1/2" – 6"

SSP Sight Glasses are ideally suited as reliable flow indicators for virtually all existing process media in either liquid or even gaseous state.

### Modular Design

The Sight Glasses are available with glass window plates made of Borosilicate acc. to DIN 7080 as per standard.

The sturdy design bodies are made of cast steel 1.0619 (WCB), coating RAL 5005 signal-blue or stainless steel casting 1.4408 (CF-8M), with resistant linings such as PFA or PFA-AS (conductive).



**SSP**  
Body 1.0619 (WCB)/PFA

### Main Features

- Heavy-duty, proven construction - maintenance-free
- Horizontal or vertical installation, flange connection acc. to ANSI 150lbs (DIN optional)
- No need of additional flange gaskets due to wide and chambered flange sealing surface
- Standard drip ledge indicating even minute flows
- Large observation opening

 **Conformity according to European Pressure Equipment Directive 97/23/EC (PED)**

### Options

- Metal reinforced glass plates
- Quartz glasses
- FEP glass protection sheet
- Visual flow indicator for gases (PTFE ribbon)

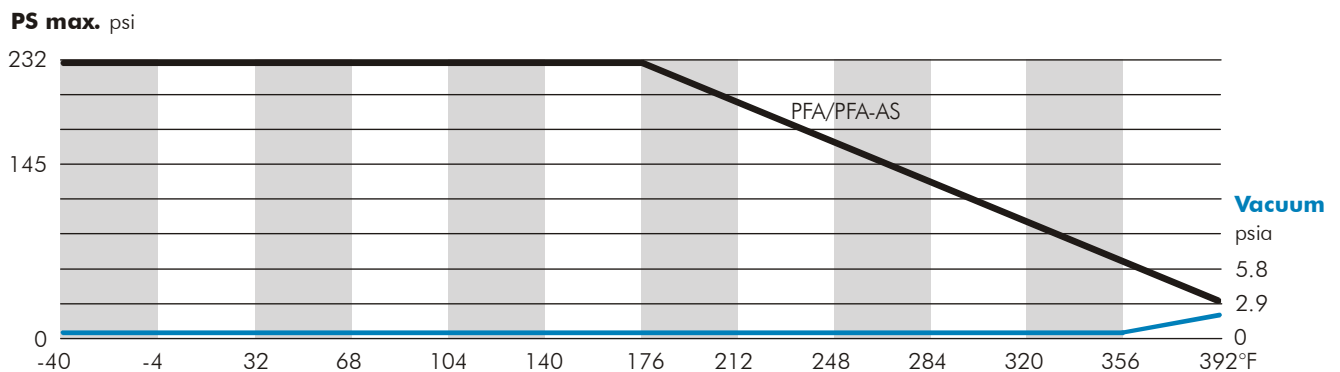
### Operating Conditions

- Temperature range from -40°F up to +400°F, depending on lining material
- Pressure range from 0.01 psia up to 232 psi, depending on size/pressure/temperature

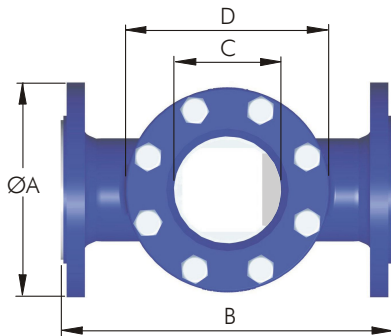
### Testing / Marking

- Pressure- and tightness testing acc. to EN 12266-1, leakage rate A, resp. API 598.
- Marking of valves on body and name plate acc. to EN 19.
- Material- resp. test certificates acc. to EN 10204-3.1/2.2/2.1

### Pressure-/Vacuum/Temperature Diagram



### Technical Data



#### Standard Materials of Components

<b>Body</b>	Cast Steel 1.0619 (WCB) 5005 epoxy
<b>Flange</b>	Cast Steel 1.0619 (WCB) 5005 epoxy
<b>Lining</b>	PFA (opt. PFA-AS conductive)
<b>Glass Plate</b>	Borosilicate 8488 acc. to DIN 7080
<b>Gasket</b>	C-4400 asbestos-free
<b>Bolts</b>	SS304

#### Dimensions inch

Size nom.	1/2"	3/4"	1"	1 1/2"	2"	2 1/2"	3"	4"	6"
<b>ØA</b>	3.74	4.13	4.25	5.00	6.00	7.00	7.50	9.00	11.00
<b>B</b>	5.12	5.91	6.00	7.00	8.00	8.50	9.50	11.50	14.00
<b>ØC</b>	1.30	1.30	1.89	2.56	3.15	3.15	3.94	4.92	7.87
<b>D</b>	□2.76	□2.76	□3.35	□4.33	□4.72	Ø6.89	Ø7.48	Ø8.27	Ø11.42
<b>ØGlass</b>	1.77x0.39	1.77x0.39	2.48x0.39	3.15x0.47	3.94x0.59	3.94x0.47	4.92x0.79	5.90x0.98	8.86x1.18
<b>Weight lbs</b>	7.92	9.24	11.00	16.72	25.96	40.48	55.00	99.88	122.54

F/F acc. to ASME B16.10, other sizes and materials upon request

Body flanges: 2 1/2" and 3" ANSI with tapped holes 5/8" UNC, 6" ANSI with threaded holes 3/4" UNC

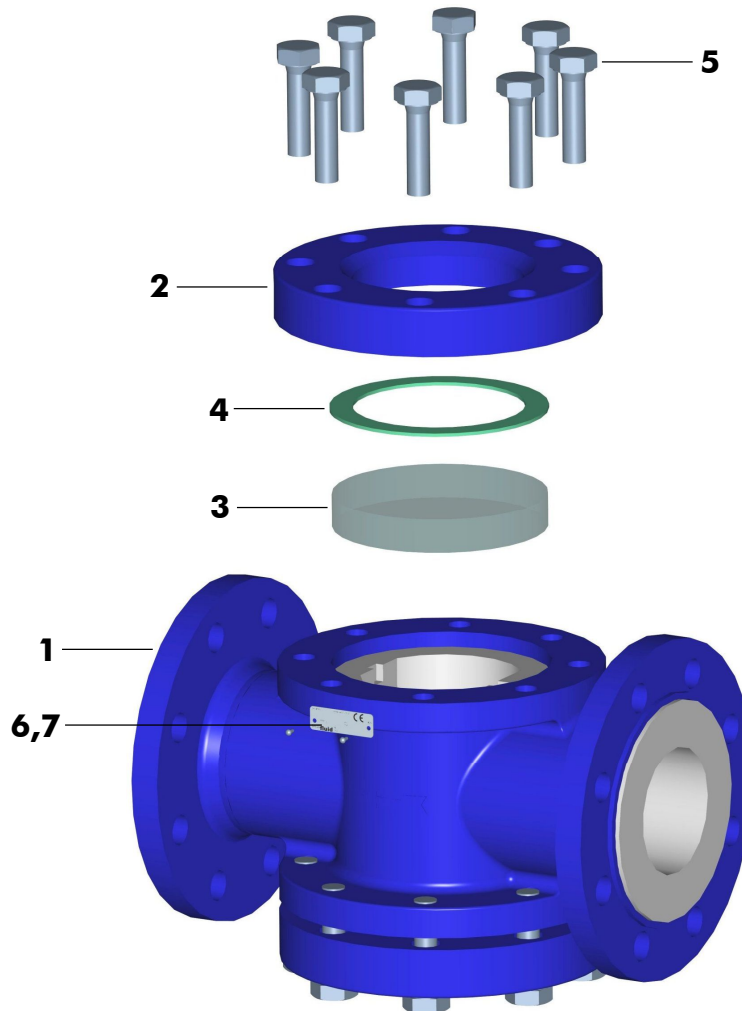
F/F options: 2 1/2", 3" and 6" available with DIN lengths

SSP Sight Glasses plastomer-lined

Parts List

Sight Glass compl.

**Standard Version** (Picture showing DN 80 PN16, PFA-lined)



Item	Qty.	Description	Material	No.
1	1	Body PFA-lined, RAL 5005	WCB	1.0619
2	2	Flange, RAL 5005	WCB	1.0619
3	2	Glass Plate DIN 7080	Borosilicate	8488
4	2	Gasket	C-4400	
5	16	Hex. Head Screw	A2-70	1.4310
6	1	Name Plate 42 x 14 CE	A2	1.4301
7	2	Hammer Screw 2.49 x 4.76	A2	1.4310

Specification

<b>Project-/Customer Data</b>		Inquiry/Date: _____		<b>Ref. SF</b> _____	
Company:		Contact Person:		Phone:	
Address:		Function:		Fax:	
ZIP/Place:		Department:		E-mail:	
Project:		Phone direct:		Mobile:	

**Operating Conditions**

**Media / Chemical Composition:**

<input type="checkbox"/> liquid	<input type="checkbox"/> powdery	<input type="checkbox"/> crystallizing	<input type="checkbox"/> sticky	<input type="checkbox"/> Spec. Grav. ____
<input type="checkbox"/> gaseous	<input type="checkbox"/> Solids ____ %	<input type="checkbox"/> viscous	<input type="checkbox"/> Flow Velocity ____ ft/sec	
<input type="checkbox"/> abrasive	<input type="checkbox"/> Particle ____ mm	<input type="checkbox"/> Visc. ____ cp	<input type="checkbox"/> Flow Rate ____ usg/min	

**Pressure**

max. \_\_\_\_ bar  
min. \_\_\_\_ bar

**Temperature**

max. \_\_\_\_ °C  
min. \_\_\_\_ °C

**Mode**

On/Off  
 Flow Control  
\_\_\_\_ cycles/ \_\_\_\_

**Installation / Environment**

horizontal  Room dry  
 vertical  Room humid  
 \_\_\_\_\_  outdoor

Remarks:

**SSP Product Code**

Specification of a complete Sight Glass SSP Series

Product code	Nom. size	Flange conn.	Body	Lining body	Glass plate	Options
<b>SSP</b>	<b>2"</b>	<b>150#</b>	<b>G10</b>	<b>A85</b>	<b>Gb</b>	
	1/2" - 6" DN15 - 150	ANSI150# ANSI300# PN16 PN40 JIS 10K	G10 WCB G15 CF-8M	A85 PFA A86 PFA-AS	Gb Glass plate PN16 Gb40 Glass plate PN40 Gr reinforced glass Gq Quartz glass	Op visual flow ind. RAL... special paint