



JDV
CONTROL
VALVES



JTD Series Double Offset Butterfly Valve



TAIWAN
EXCELLENCE
2020

*We link all you need
and more than you expect.*

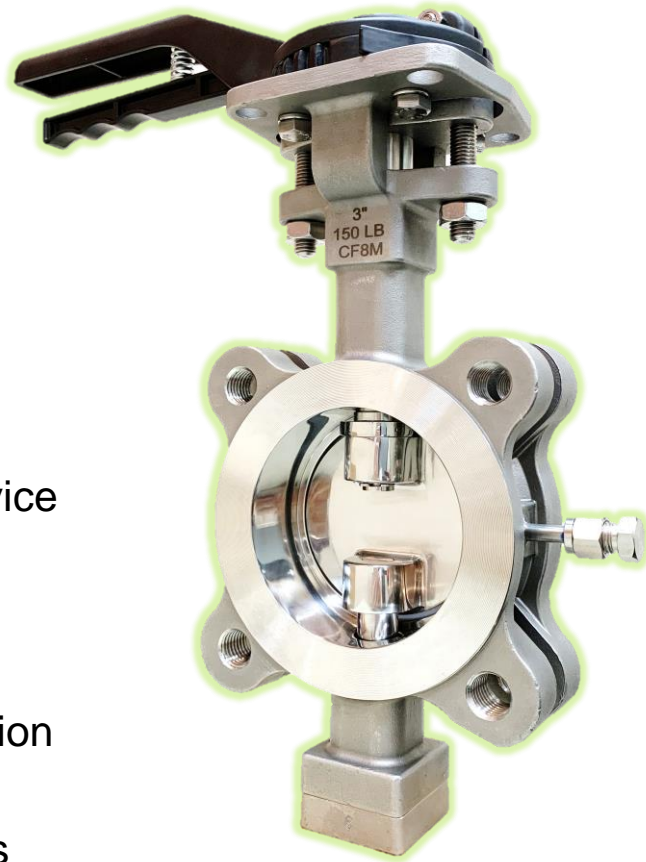
JTD-E

Double Offset Butterfly Valve

Wafer Ends ASME CLASS 150 / JIS 10K / DIN PN16

Lug Ends ASME CLASS 150 / JIS 10K / DIN PN16

Flange Ends ASME CLASS 150 / JIS 10K / DIN PN16



Industrial fields:

- Semiconductor
- Clean For Oxygen Service
- Food
- Chemical
- Stationery
- Inert Bulk Gas Distribution
- CDA / OFA Systems
- Utility Nitrogen Systems
- Bulk Chemical Delivery
- Process Vacuum Exhaust
- Point-of-Use Isolation
- Bio pharm Breathable Air Service

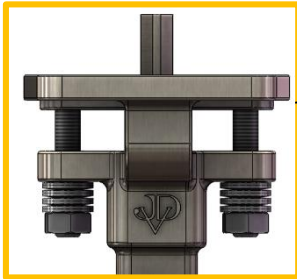


Applicable Standards

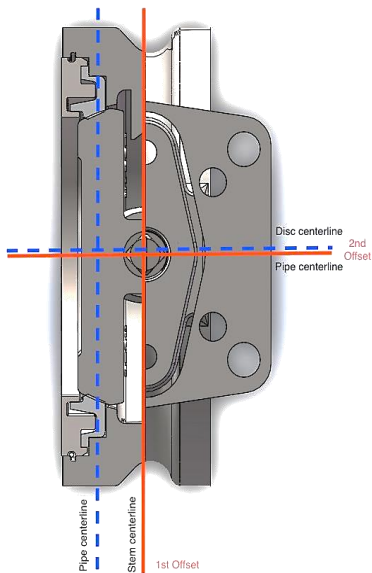
- Body Material: Standard in CF8, CF8M, CF3M
- Other materials are available according to requirements.
- Nominal Size: 2 1/2" to 24" (DN65 to DN600) are on request.
- Pressure Rating: ASME CLASS 150/300, JIS 10K/20K, DIN PN16/40 are on request.
- End Connection: Wafer / Lug Short Pattern AND Long Pattern.
- Temperature Range: -320~446°F (-196~220°C), higher temperatures are on request.
- Design Standard: API 609 / ASME B16.34 / BS EN593 / EN 12516
- Flanged Dimensions: ASME B16.5 / EN 1092-1 / JIS B2003
- Face-To-Face Dimensions: API 609 Category B for Lug /Wafer
- Anti-blowout Stem Design: Complied with API 609 Sec 4.9
- Casting: MSS SP-55
- Marking : MSS SP-25 / EN19
- Mounting Pad: ISO 5211
- Screw Thread: ASME b1.1 / BS 2643
- Body Pressure Test: API 598 / ISO 5208 / EN 12266-1
- Cryogenic Temperature Test: BS 6364
- Fire safe design: Certificated according to API 607
- Low Emission Design: Certificated according to VDI 2440 (TA-Luft)

Design & Structure

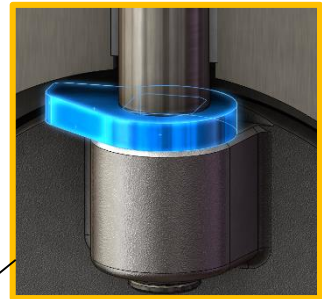
Live Loading Design



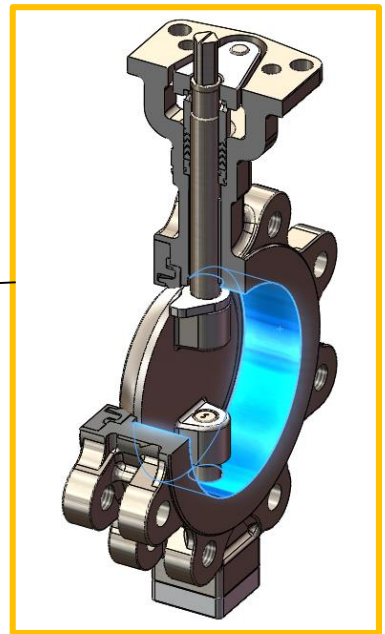
OPP Purge Port Design



Patent Stopper



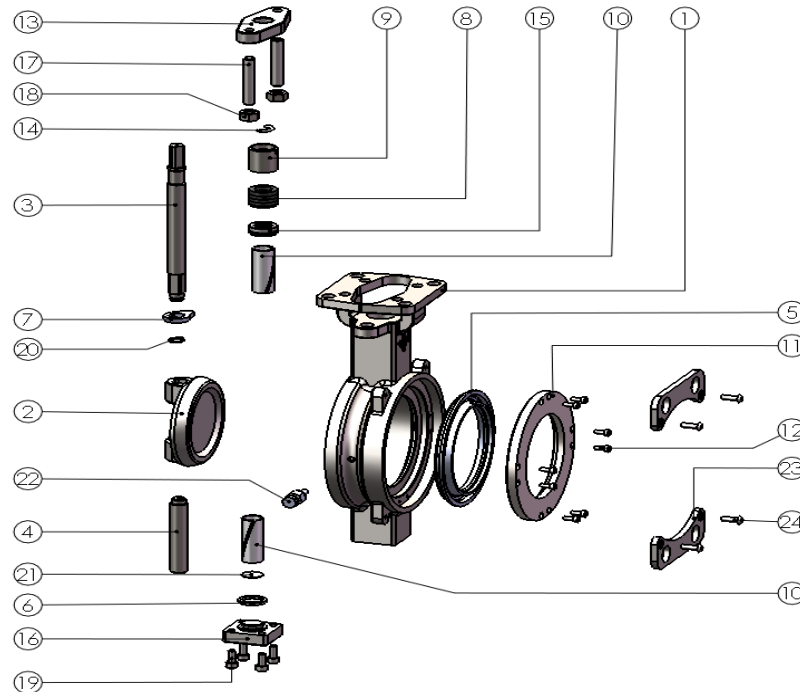
Fully Machined Bore polishing process



2nd Offset

The centerline of the disc is offset from the centerline of the valve body, allowing the disc seal to move away freely during the opening.

2-1/2~12" Technical Specifications (Wafer)



MATERIAL:

NO	PART	MATERIALS		
1	BODY	A351-CF8	A351-CF8M	A351-CF3M
2	DISC	A351-CF8	A351-CF8M	A351-CF3M
3	STEM	A276-304	A276-316	A276-316
4	SHAFT	A276-304	A276-316	A276-316
5	SEAT	RPTFE	RPTFE	RPTFE
6	COVER GASKET	PTFE	PTFE	PTFE
7	STOPER	A351-CF8M	A351-CF8M	A351-CF8M
8	GLAND PACKING	PTFE	PTFE	PTFE
9	GLAND	A276-316	A276-316	A276-316
10	THRUST BEARING	PTFE	PTFE	PTFE
11	BODY RETAINER	316SS	316SS	316SS
12	SCREW	STAINLESS STEEL	STAINLESS STEEL	STAINLESS STEEL
13	GLAND FLANGE	A351-CF8M	A351-CF8M	A351-CF8M
14	FIXED RING	INCINEL X-750	INCINEL X-750	INCINEL X-750
15	PACKING SEAT	A276-316	A276-316	A276-316
16	END COVER	A351-CF8	A351-CF8M	A351-CF3M
17	GLAND FLANGE BOLT	A193-B8	A193-B8	A193-B8
18	GLAND FLANGE NUT	A194-8	A194-8	A194-8
19	END COVER SCREW	A2-70	A2-70	A2-70
20	C-CLIP	STAINLESS STEEL	STAINLESS STEEL	STAINLESS STEEL
21	SHAFT WASHER	PTFE	PTFE	PTFE
22	OPP	STAINLESS STEEL	STAINLESS STEEL	STAINLESS STEEL
23	POSTIONING PALTE	PTFE	PTFE	PTFE
24	BODY RETAINER SCREW	A2-70	A2-70	A2-70

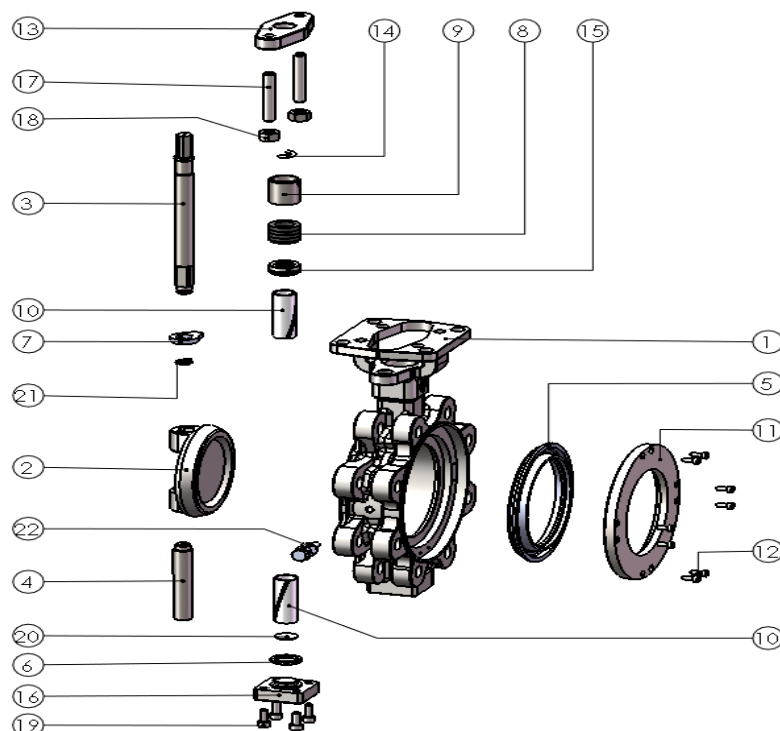
JIS-10K

1	BODY	SCS13A	SCS14A	SCS16A
2	DISC	SCS13A	SCS14A	SCS16A

DIN-PN16

1	BODY	1.4308	1.4408	1.4435
2	DISC	1.4308	1.4408	1.4435

2-1/2~12" Technical Specifications (Lug)



MATERIAL:

NO	PART	MATERIALS		
1	BODY	A351-CF8	A351-CF8M	A351-CF3M
2	DISC	A351-CF8	A351-CF8M	A351-CF3M
3	STEM	A276-304	A276-316	A276-316
4	SHAFT	A276-304	A276-316	A276-316
5	SEAT	RPTFE	RPTFE	RPTFE
6	COVER GASKET	PTFE	PTFE	PTFE
7	STOPER	A351-CF8M	A351-CF8M	A351-CF8M
8	GLAND PACKING	PTFE	PTFE	PTFE
9	GLAND	A276-316	A276-316	A276-316
10	THRUST BEARING	PTFE	PTFE	PTFE
11	BODY RETAINER	316SS	316SS	316SS
12	SCREW	STAINLESS STEEL	STAINLESS STEEL	STAINLESS STEEL
13	GLAND FLANGE	A351-CF8M	A351-CF8M	A351-CF8M
14	FIXED RING	INCINEL X-750	INCINEL X-750	INCINEL X-750
15	PACKING SEAT	A276-316	A276-316	A276-316
16	END COVER	A351-CF8	A351-CF8M	A351-CF3M
17	GLAND FLANGE BOLT	A193-B8	A193-B8	A193-B8
18	GLAND FLANGE NUT	A194-8	A194-8	A194-8
19	END COVER SCREW	A2-70	A2-70	A2-70
20	C-CLIP	STAINLESS STEEL	STAINLESS STEEL	STAINLESS STEEL
21	SHAFT WASHER	PTFE	PTFE	PTFE
22	OPP	STAINLESS STEEL	STAINLESS STEEL	STAINLESS STEEL

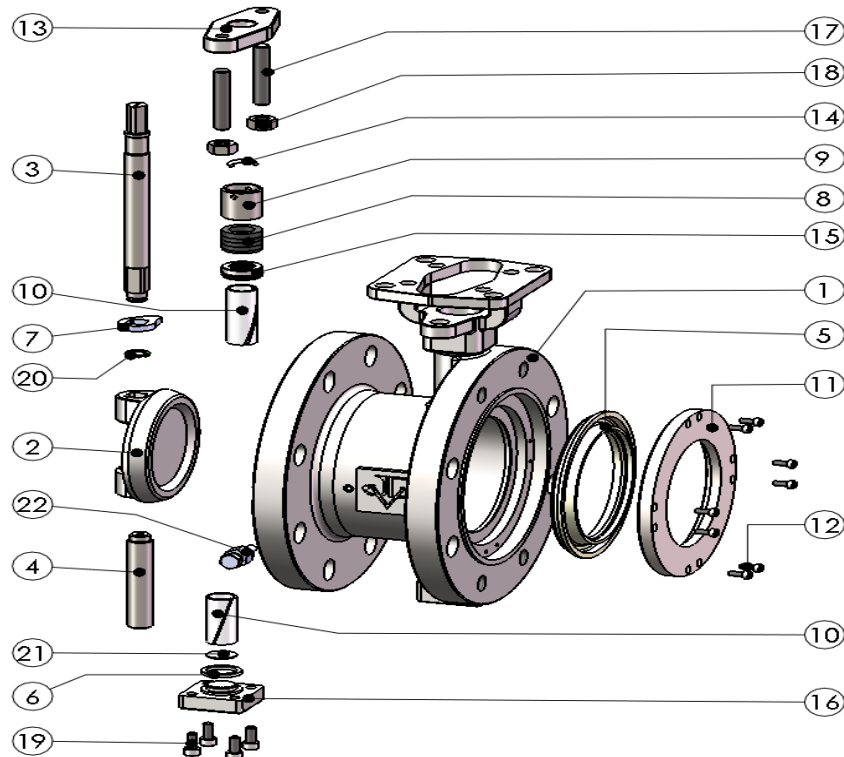
JIS-10K

1	BODY	SCS13A	SCS14A	SCS16A
2	DISC	SCS13A	SCS14A	SCS16A

DIN-PN16

1	BODY	1.4308	1.4408	1.4435
2	DISC	1.4308	1.4408	1.4435

2-1/2~12" Technical Specifications (Flange)



MATERIAL:

NO	PART	MATERIALS		
1	BODY	A351-CF8	A351-CF8M	A351-CF3M
2	DISC	A351-CF8	A351-CF8M	A351-CF3M
3	STEM	A276-304	A276-316	A276-316
4	SHAFT	A276-304	A276-316	A276-316
5	SEAT	RPTFE	RPTFE	RPTFE
6	COVER GASKET	PTFE	PTFE	PTFE
7	STOPER	A351-CF8M	A351-CF8M	A351-CF8M
8	GLAND PACKING	PTFE	PTFE	PTFE
9	GLAND	A276-316	A276-316	A276-316
10	THRUST BEARING	PTFE	PTFE	PTFE
11	BODY RETAINER	316SS	316SS	316SS
12	SCREW	STAINLESS STEEL	STAINLESS STEEL	STAINLESS STEEL
13	GLAND FLANGE	A351-CF8M	A351-CF8M	A351-CF8M
14	FIXED RING	INCINEL X-750	INCINEL X-750	INCINEL X-750
15	PACKING SEAT	A276-316	A276-316	A276-316
16	END COVER	A351-CF8	A351-CF8M	A351-CF3M
17	GLAND FLANGE BOLT	A193-B8	A193-B8	A193-B8
18	GLAND FLANGE NUT	A194-8	A194-8	A194-8
19	END COVER SCREW	A2-70	A2-70	A2-70
20	C-CLIP	STAINLESS STEEL	STAINLESS STEEL	STAINLESS STEEL
21	SHAFT WASHER	PTFE	PTFE	PTFE
22	OPP	STAINLESS STEEL	STAINLESS STEEL	STAINLESS STEEL

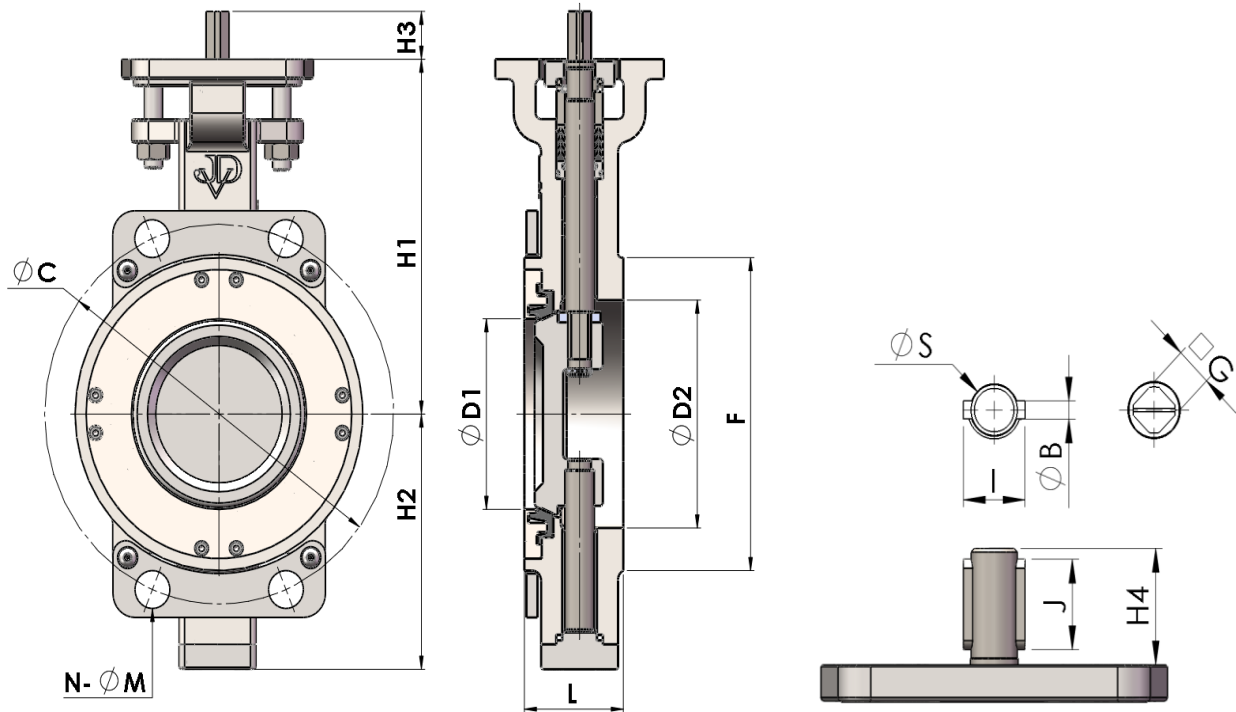
JIS-10K

1	BODY	SCS13A	SCS14A	SCS16A
2	DISC	SCS13A	SCS14A	SCS16A

DIN-PN16

1	BODY	1.4308	1.4408	1.4435
2	DISC	1.4308	1.4408	1.4435

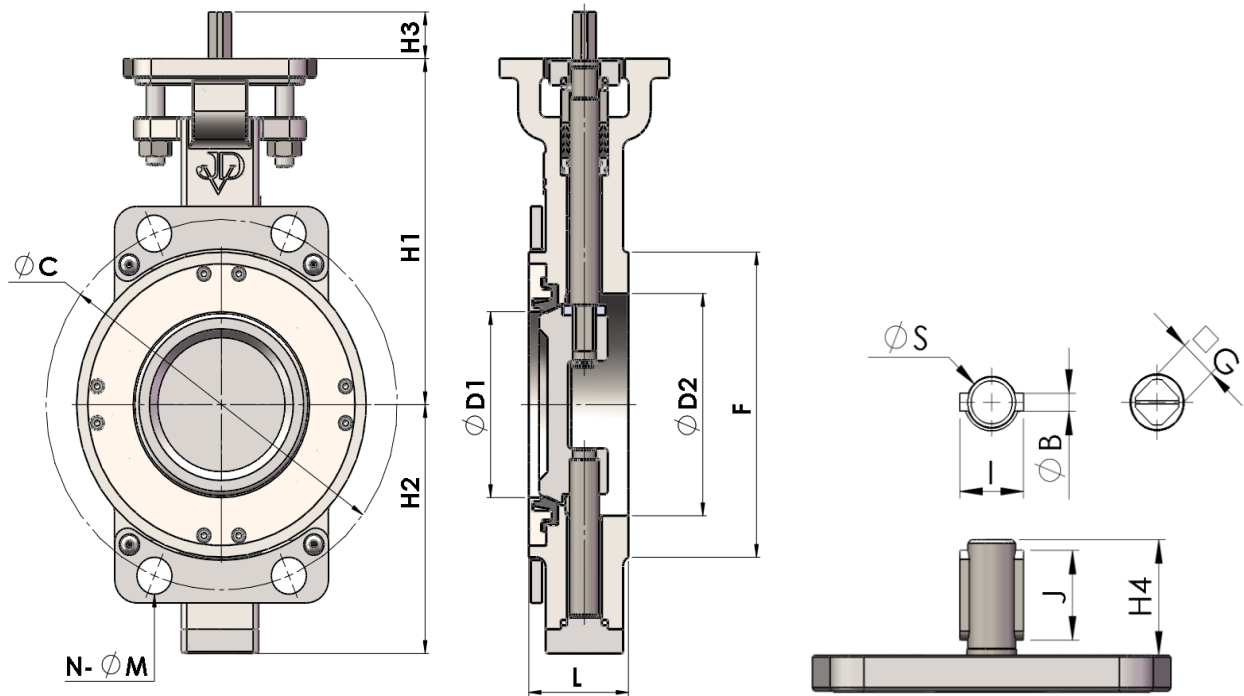
ASME CLASS 150 Wafer Type Double-Offset Soft-Seat Butterfly Valve



DIMENSIONS:

SIZE	L	D1	D2	F	150LB			H1	H2	H3	H4	B x I x J	□G	S	ISO-5211	
					C	N	ØM									
65	2-1/2"	46	59	74.6	104.8	139.7	4	19	158	109	18	30	5x18x25	11	14	F07/F10
80	3"	46	73.1	88.9	127	152.4	4	19	168	114.5	18	30	5x18x25	11	14	F07/F10
100	4"	52	95.6	114.3	157.2	190.5	4	22	190	127.5	18	30	5x18x25	11	14	F07/F10
125	5"	56	111.4	130	185.7	215.9	4	22	203	142.5	18	30	5x18x25	11	14	F07/F10
150	6"	56	141.5	158.8	215.9	241.3	4	22	208	157.5	23	36	6x23x30	14	18	F07/F10
200	8"	60	188	209.6	269.9	298.5	4	22	235	188.5	25	36	6x27x30	17	22	F10/F12
250	10"	68	235.9	254	323.8	362	4	25	295	222	36	36	8x34x30	22	28	F12/F14
300	12"	78	281.5	304.8	381	431.8	4	25	325	261	40	40	10x38x35	27	32	F14/F16
350	14"	92	314.3	343	412.8	476.3	4	29	399	286	50	50	10x42x45	27	36	F14
400	16"	102	362.8	387.4	469.9	539.8	4	29	451	316	70	70	14x52x60	36	45	F16
450	18"	149	413.3	444.5	533.4	577.9	4	32	474	340	80	80	14x55x70	36	48	F16
500	20"	127	454.9	492.1	584.2	635	4	1-1/8"-8UN	497	383	90	90	16x63x80	46	55	F20
600	24"	154	548.8	495.3	692.2	749.3	4	1-1/4"-8UN	610	475	100	100	16x68x90	55	60	F20

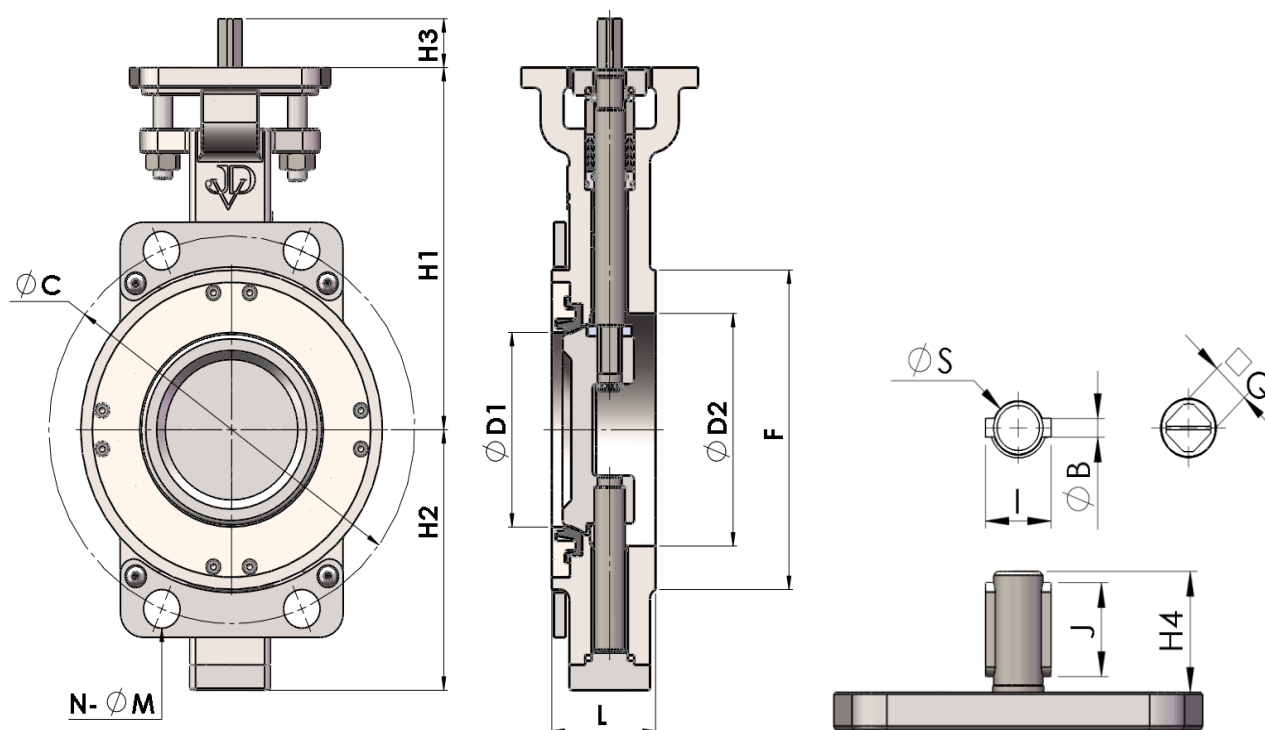
JIS 10K Wafer Type Double-Offset Soft-Seat Butterfly Valve



DIMENSIONS:

SIZE	L	D1	D2	F	10K			H1	H2	H3	H4	B x l x J	□G	S	ISO-5211	
					C	N	ØM									
65	2-1/2"	46	59	74.6	116	140	4	19	158	109	18	30	5x18x25	11	14	F07/F10
80	3"	46	73.1	88.9	126	150	4	19	168	114.5	18	30	5x18x25	11	14	F07/F10
100	4"	52	95.6	114.3	151	175	4	19	190	127.5	18	30	5x18x25	11	14	F07/F10
125	5"	56	111.4	130	182	210	4	23	203	142.5	18	30	5x18x25	11	14	F07/F10
150	6"	56	141.5	158.8	212	240	4	23	208	157.5	23	36	6x23x30	14	18	F07/F10
200	8"	60	188	209.6	262	290	4	23	235	188.5	25	36	6x27x30	17	22	F10/F12
250	10"	68	235.9	254	324	355	4	25	295	222	36	36	8x34x30	22	28	F12/F14
300	12"	78	281.5	304.8	368	400	4	25	325	261	40	40	10x38x35	27	32	F14/F16
350	14"	92	314.3	343	413	445	4	25	399	286	50	50	10x42x45	27	36	F14
400	16"	102	362.8	387.4	475	510	4	27	451	316	70	70	14x52x60	36	45	F16
450	18"	149	413.3	444.5	530	565	4	27	474	340	80	80	14x55x70	36	48	F16
500	20"	127	454.9	492.1	585	620	4	27	497	383	90	90	16x63x80	46	55	F20
600	24"	154	548.8	495.3	690	730	4	33	610	475	100	100	16x68x90	55	60	F20

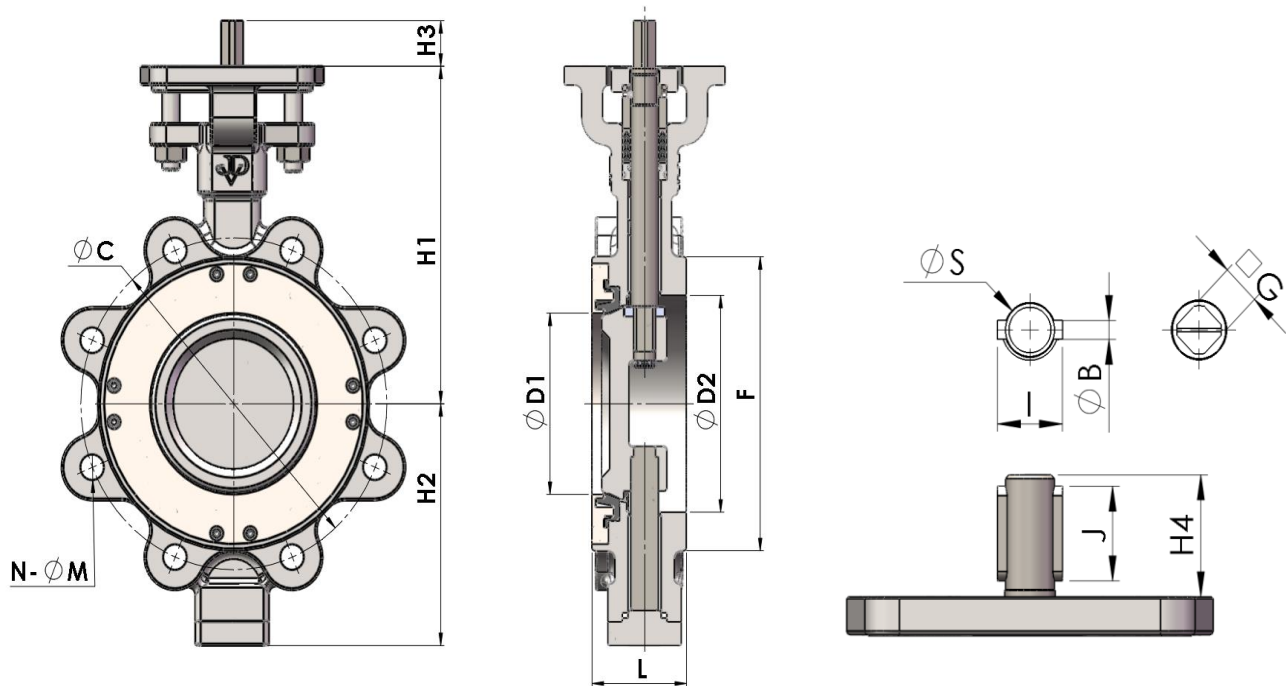
DIN PN16 Wafer Type Double-Offset Soft-Seat Butterfly Valve



DIMENSIONS:

SIZE	L	D1	D2	F	PN16			H1	H2	H3	H4	Bx l x J	□G	S	ISO-5211	
					C	N	ØM									
65	2-1/2"	48	59	74.6	122	145	4	18	158	109	18	30	5x18x25	11	14	F07/F10
80	3"	48	73.1	88.9	138	160	4	18	168	114.5	18	30	5x18x25	11	14	F07/F10
100	4"	54	95.6	114.3	158	180	4	18	190	127.5	18	30	5x18x25	11	14	F07/F10
125	5"	57	111.4	130	188	210	4	18	203	142.5	18	30	5x18x25	11	14	F07/F10
150	6"	57	141.5	158.8	212	240	4	22	208	157.5	23	36	6x23x30	14	18	F07/F10
200	8"	64	188	209.6	268	295	4	22	235	188.5	25	36	6x27x30	17	22	F10/F12
250	10"	71	235.9	254	320	355	4	26	295	222	36	36	8x34x30	22	28	F12/F14
300	12"	81	281.5	304.8	378	410	4	26	325	261	40	40	10x38x35	27	32	F14/F16
350	14"	92	314.3	343	438	470	4	26	399	286	50	50	10x42x45	27	36	F14
400	16"	102	362.8	387.4	490	525	4	30	451	316	70	70	14x52x60	36	45	F16
450	18"	114	413.3	444.5	550	585	4	30	474	340	80	80	14x55x70	36	48	F16
500	20"	127	454.9	492.1	610	650	4	33	497	383	90	90	16x63x80	46	55	F20
600	24"	154	548.8	495.3	725	770	4	36	610	475	100	100	16x68x90	55	60	F20

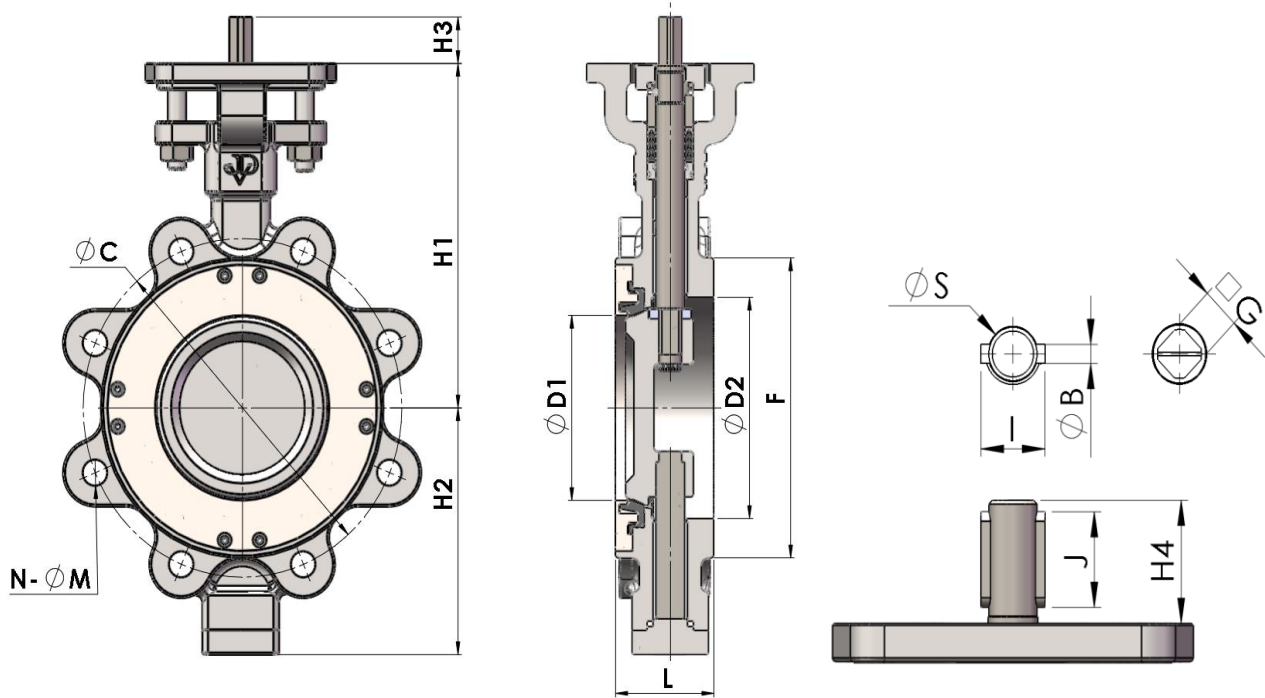
ASME CLASS 150 LUG Type Double-Offset Soft-Seat Butterfly Valve



DIMENSIONS:

SIZE	L	D1	D2	F	150LB			H1	H2	H3	H4	B x I x J	□G	S	ISO-5211	
					C	N	ØM									
65	2-1/2"	48	59	74.6	104.8	139.7	4	5/8"11UNC	158	109	18	30	5x18x25	11	14	F07/F10
80	3"	48	73.1	88.9	127	152.4	8	5/8"11UNC	168	114.5	18	30	5x18x25	11	14	F07/F10
100	4"	54	95.6	114.3	157.2	190.5	8	5/8"11UNC	190	127.5	18	30	5x18x25	11	14	F07/F10
125	5"	57	111.4	130	185.7	215.9	8	3/4"10UNC	203	142.5	18	30	5x18x25	11	14	F07/F10
150	6"	57	141.5	158.8	215.9	241.3	8	3/4"10UNC	208	157.5	23	36	6x23x30	14	18	F07/F10
200	8"	64	188	209.6	269.9	298.5	8	3/4"10UNC	235	188.5	25	36	6x27x30	17	22	F10/F12
250	10"	71	235.9	254	323.8	362	12	7/8"9UNC	295	222	36	36	8x34x30	22	28	F12/F14
300	12"	81	281.5	304.8	381	431.8	12	7/8"9UNC	325	261	40	40	10x38x35	27	32	F14/F16
350	14"	92	314.3	343	412.8	476.3	12	1"-8UNC	399	286	50	50	10x42x45	27	36	F14
400	16"	102	362.8	387.4	469.9	539.8	16	1"-8UNC	451	316	70	70	14x52x60	36	45	F16
450	18"	114	413.3	444.5	533.4	577.9	16	1-1/8"-8UN	474	340	80	80	14x55x70	36	48	F16
500	20"	127	454.9	492.1	584.2	635	20	1-1/8"-8UN	497	383	90	90	16x63x80	46	55	F20
600	24"	154	548.8	495.3	692.2	749.3	20	1-1/4"-8UN	610	475	100	100	16x68x90	55	60	F20

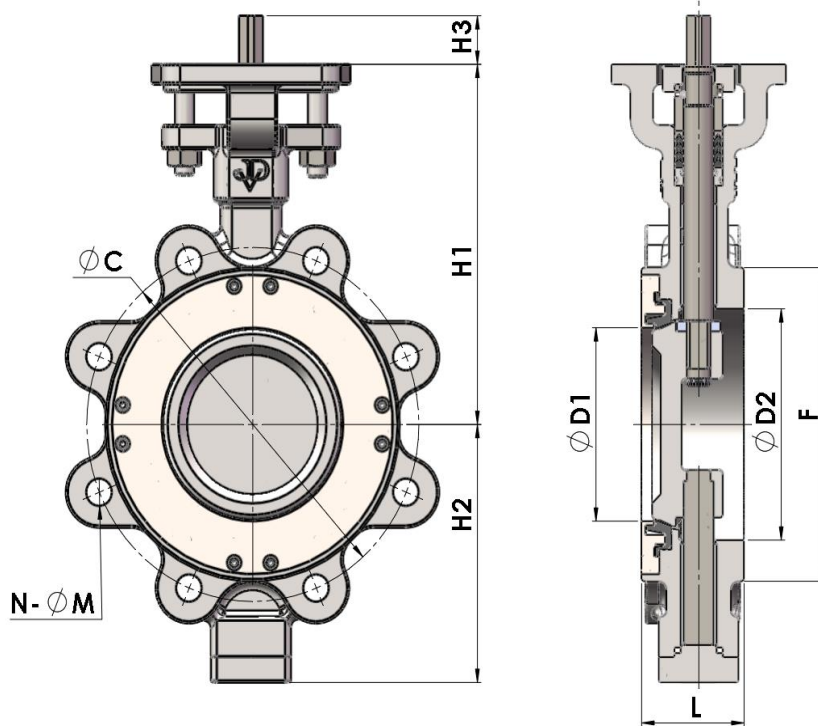
JIS 10K LUG Type Double-Offset Soft-Seat Butterfly Valve



DIMENSIONS:

SIZE	L	D1	D2	F	10K			H1	H2	H3	H4	B x I x J	□G	S	ISO-5211	
					C	N	ØM									
65	2-1/2"	46	59	74.6	116	140	4	M16	158	109	18	30	5x18x25	11	14	F07/F10
80	3"	46	73.1	88.9	126	150	8	M16	168	114.5	18	30	5x18x25	11	14	F07/F10
100	4"	52	95.6	114.3	150	175	8	M16	190	127.5	18	30	5x18x25	11	14	F07/F10
125	5"	56	111.4	130	182	210	8	M20	203	142.5	18	30	5x18x25	11	14	F07/F10
150	6"	56	141.5	158.8	212	240	8	M20	208	157.5	23	36	6x23x30	14	18	F07/F10
200	8"	60	188	209.6	262	290	12	M20	235	188.5	25	36	6x27x30	17	22	F10/F12
250	10"	68	235.9	254	324	355	12	M22	295	222	36	36	8x34x30	22	28	F12/F14
300	12"	78	281.5	304.8	368	400	16	M22	325	261	40	40	10x38x35	27	32	F14/F16
350	14"	92	314.3	343	413	445	16	M22	399	286	50	50	10x42x45	27	36	F14
400	16"	102	362.8	387.4	475	510	16	M24	451	316	70	70	14x52x60	36	45	F16
450	18"	114	413.3	444.5	530	565	20	M24	474	340	80	80	14x55x70	36	48	F16
500	20"	127	454.9	492.1	585	620	20	M24	497	383	90	90	16x63x80	46	55	F20
600	24"	154	548.8	495.3	690	730	24	M30	610	475	100	100	16x68x90	55	60	F20

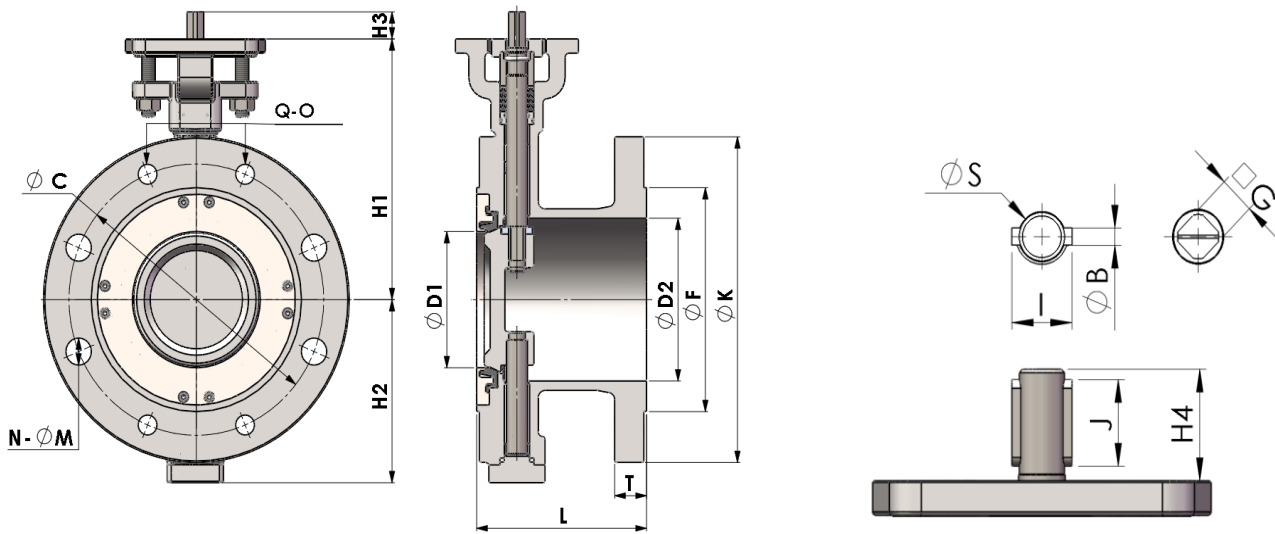
DIN PN16 LUG Type Double-Offset Soft-Seat Butterfly Valve



DIMENSIONS:

SIZE	L	D1	D2	F	PN16			H1	H2	H3	H4	Bx l x J	□G	S	ISO-5211	
					C	N	ØM									
65	2-1/2"	48	59	74.6	122	145	8	M16	158	109	18	30	5x18x25	11	14	F07/F10
80	3"	48	73.1	88.9	138	160	8	M16	168	114.5	18	30	5x18x25	11	14	F07/F10
100	4"	54	95.6	114.3	158	180	8	M16	190	127.5	18	30	5x18x25	11	14	F07/F10
125	5"	57	111.4	130	188	210	8	M16	203	142.5	18	30	5x18x25	11	14	F07/F10
150	6"	57	141.5	158.8	212	240	8	M20	208	157.5	23	36	6x23x30	14	18	F07/F10
200	8"	64	188	209.6	268	295	12	M20	235	188.5	25	36	6x27x30	17	22	F10/F12
250	10"	71	235.9	254	320	355	12	M24	295	222	36	36	8x34x30	22	28	F12/F14
300	12"	81	281.5	304.8	378	410	12	M24	325	261	40	40	10x38x35	27	32	F14/F16
350	14"	92	314.3	343	438	470	16	M24	399	286	50	50	10x42x45	27	36	F14
400	16"	102	362.8	387.4	490	525	16	M27	451	316	70	70	14x52x60	36	45	F16
450	18"	114	413.3	444.5	550	585	20	M27	474	340	80	80	14x55x70	36	48	F16
500	20"	127	454.9	492.1	610	650	20	M30	497	383	90	90	16x63x80	46	55	F20
600	24"	154	548.8	495.3	725	770	20	M33	610	475	100	100	16x68x90	55	60	F20

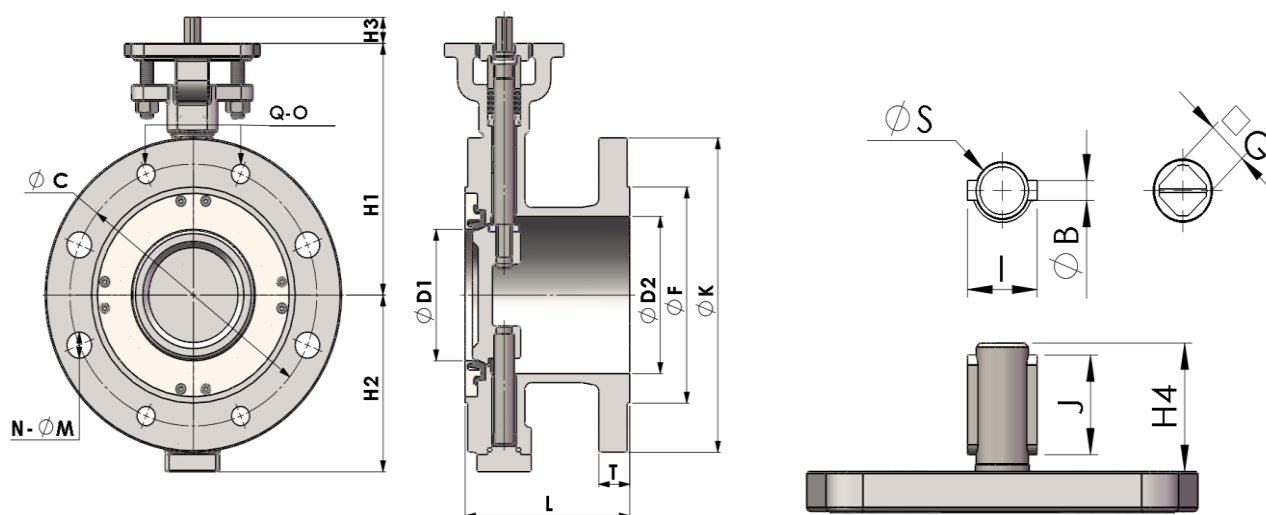
ASME CLASS 150 Flange Short Type Double-Offset Soft-Seat Butterfly Valve



DIMENSIONS:

SIZE	L	D1	D2	K	F	150LB			H1	H2	H3	H4	B x I x J	□G	S	Q	O	ISO-5211	
						C	N-M	T											
65	2-1/2"	112	59	74.6	175	104.8	139.7	4-19	22.3	158	109	18	30	5x18x25	11	14		F07/F10	
80	3"	114	73.1	88.9	190.5	127	152.4	8-19	23.9	168	114.5	18	30	5x18x25	11	14	4	5/8"11UNC	F07/F10
100	4"	127	95.6	114.3	228.6	157.2	190.5	8-22	23.9	190	122	18	30	5x18x25	11	14	4	5/8"11UNC	F07/F10
125	5"	140	111.4	130	255	185.7	215.9	8-22	23.9	203	142.5	18	30	5x18x25	11	14	4	3/4"10UNC	F07/F10
150	6"	140	141.5	158.8	279.4	215.9	241.3	8-22	25.4	208	157.5	23	36	6x23x30	14	18	4	3/4"10UNC	F07/F10
200	8"	152	188	209.6	342.9	269.9	298.5	8-22	28.6	235	188.5	25	36	6x27x30	17	22	4	3/4"10UNC	F10/F12
250	10"	165	235.9	254	406.4	323.8	362	12-25	30.2	295	222	36	36	8x34x30	22	28	4	7/8"9UNC	F12/F14
300	12"	178	281.5	304.8	482.6	381	431.8	12-25	31.8	325	261	40	40	10x38x35	27	32	4	7/8"9UNC	F14/F16
350	14"	190	314.3	343	533.4	412.8	476.3	12-29	35	399	286	50	50	10x42x45	27	36	4	1"-8UNC	F14
400	16"	216	362.8	387.4	596.9	469.9	539.8	16-29	36.6	451	316	70	70	14x52x60	36	45	4	1"-8UNC	F16
450	18"	222	413.3	444.5	635	533.4	577.9	16-32	39.7	474	340	80	80	14x55x70	36	48	4	1-1/8"-8UN	F16
500	20"	229	454.9	492.1	698.5	584.2	635	20-32	42.9	497	383	90	90	16x63x80	46	55	4	1-1/8"-8UN	F20
600	24"	267	548.8	495.3	812.8	692.2	749.3	20-35	47.7	610	475	100	100	16x68x90	55	60	4	1-1/4"-8UN	F20

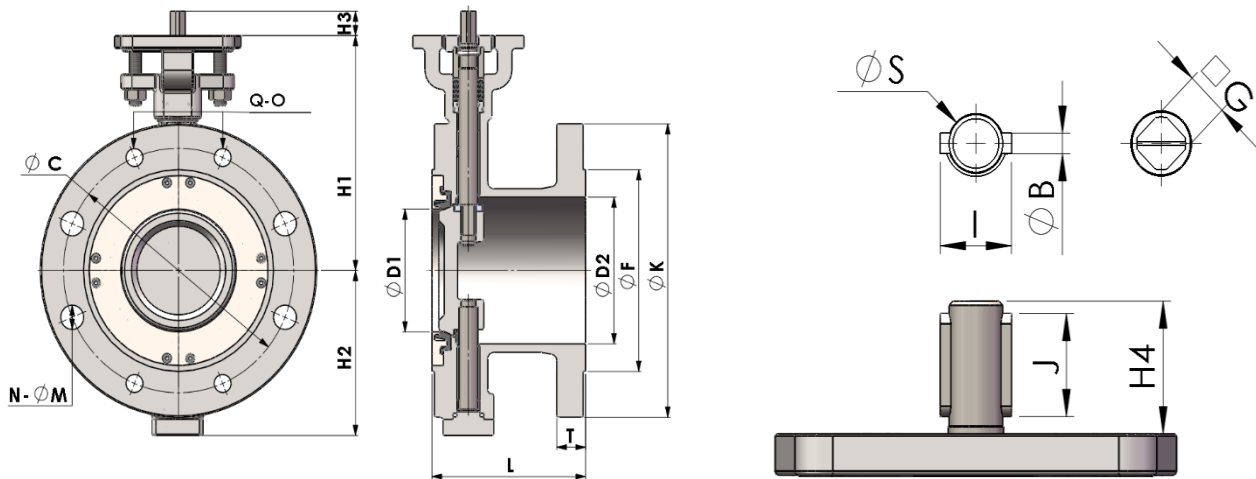
JIS 10K Flange Short Type Double-Offset Soft-Seat Butterfly Valve



DIMENSIONS:

SIZE	L	D1	D2	K	F	10K			H1	H2	H3	H4	B x l x J	□G	S	Q	O	ISO-5211	
						C	N-M	T											
65	2-1/2"	112	59	74.6	175	116	140	4-19	18	158	109	18	30	5x18x25	11	14		F07/F10	
80	3"	114	73.1	88.9	185	126	150	8-19	18	168	114.5	18	30	5x18x25	11	14	4	M16	F07/F10
100	4"	127	95.6	114.3	210	150	175	8-19	18	190	122	18	30	5x18x25	11	14	4	M16	F07/F10
125	5"	140	111.4	130	250	182	210	8-23	20	203	142.5	18	30	5x18x25	11	14	4	M20	F07/F10
150	6"	140	141.5	158.8	280	212	240	8-23	22	208	157.5	23	36	6x23x30	14	18	4	M20	F07/F10
200	8"	152	188	209.6	330	262	290	12-23	22	235	188.5	25	36	6x27x30	17	22	4	M20	F10/F12
250	10"	165	235.9	254	400	324	355	12-25	24	295	222	36	36	8x34x30	22	28	4	M22	F12/F14
300	12"	178	281.5	304.8	445	368	400	16-25	24	325	261	40	40	10x38x35	27	32	4	M22	F14/F16
350	14"	190	314.3	343	490	413	445	16-25	26	399	286	50	50	10x42x45	27	36	4	M22	F14
400	16"	216	362.8	387.4	560	475	510	16-27	28	451	316	70	70	14x52x60	36	45	4	M24	F16
450	18"	222	413.3	444.5	620	530	565	20-27	30	474	340	80	80	14x55x70	36	48	4	M24	F16
500	20"	229	454.9	492.1	675	585	620	20-27	30	497	383	90	90	16x63x80	46	55	4	M24	F20
600	24"	267	548.8	495.3	795	690	730	24-33	36	610	475	100	100	16x68x90	55	60	4	M30	F20

DIN PN16 Flange Short Type Double-Offset Soft-Seat Butterfly Valve



DIMENSIONS:

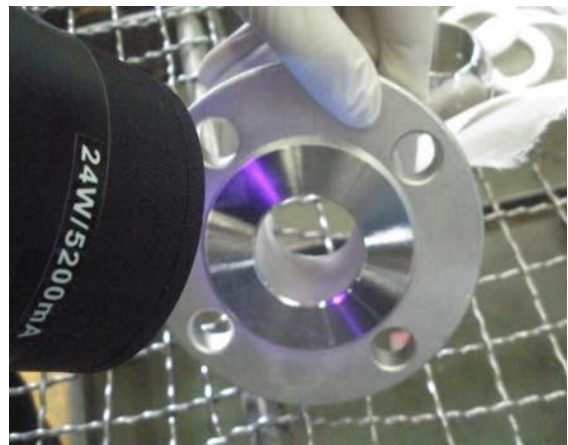
SIZE	L	D1	D2	K	F	PN16			H1	H2	H3	H4	Bx l x J	□G	S	Q	O	ISO-5211	
						C	N-M	T											
65	2-1/2"	112	59	74.6	185	122	145	8-18	18	158	109	18	30	5x18x25	11	14		M16	F07/F10
80	3"	114	73.1	88.9	200	138	160	8-18	20	168	114.5	18	30	5x18x25	11	14	4	M16	F07/F10
100	4"	127	95.6	114.3	220	158	180	8-18	20	190	127.5	18	30	5x18x25	11	14	4	M16	F07/F10
125	5"	140	111.4	130	250	188	210	8-18	22	203	142.5	18	30	5x18x25	11	14	4	M16	F07/F10
150	6"	140	141.5	158.8	285	212	240	8-22	22	208	157.5	23	36	6x23x30	14	18	4	M20	F07/F10
200	8"	152	188	209.6	340	268	295	12-22	24	235	188.5	25	36	6x27x30	17	22	4	M20	F10/F12
250	10"	165	235.9	254	405	320	355	12-26	26	295	222	36	36	8x34x30	22	28	4	M24	F12/F14
300	12"	178	281.5	304.8	460	378	410	12-26	28	325	261	40	40	10x38x35	27	32	4	M24	F14/F16
350	14"	190	314.3	343	520	438	470	16-26	30	399	286	50	50	10x42x45	27	36	4	M24	F14
400	16"	216	362.8	387.4	580	490	525	16-30	32	451	316	70	70	14x52x60	36	45	4	M27	F16
450	18"	222	413.3	444.5	640	550	585	20-30	34	474	340	80	80	14x55x70	36	48	4	M27	F16
500	20"	229	454.9	492.1	715	610	650	20-33	36	497	383	90	90	16x63x80	46	55	4	M30	F20
600	24"	267	548.8	495.3	840	725	770	20-36	40	610	475	100	100	16x68x90	55	60	4	M33	F20

High-precision cleaning process / vacuum packaging clean room

Ultrasonic Cleaning



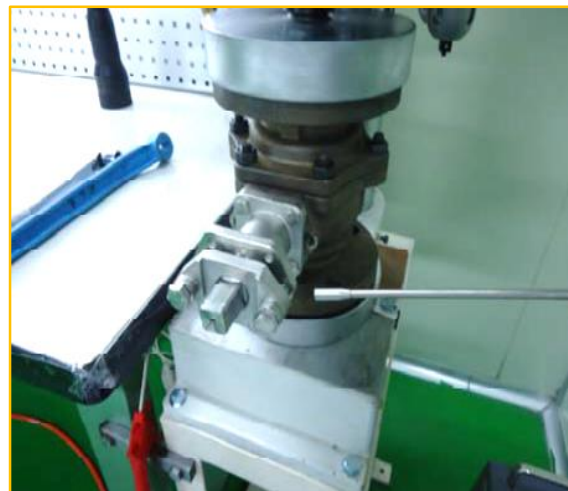
UV Lamp Inspection



Clean room ,Class 1000



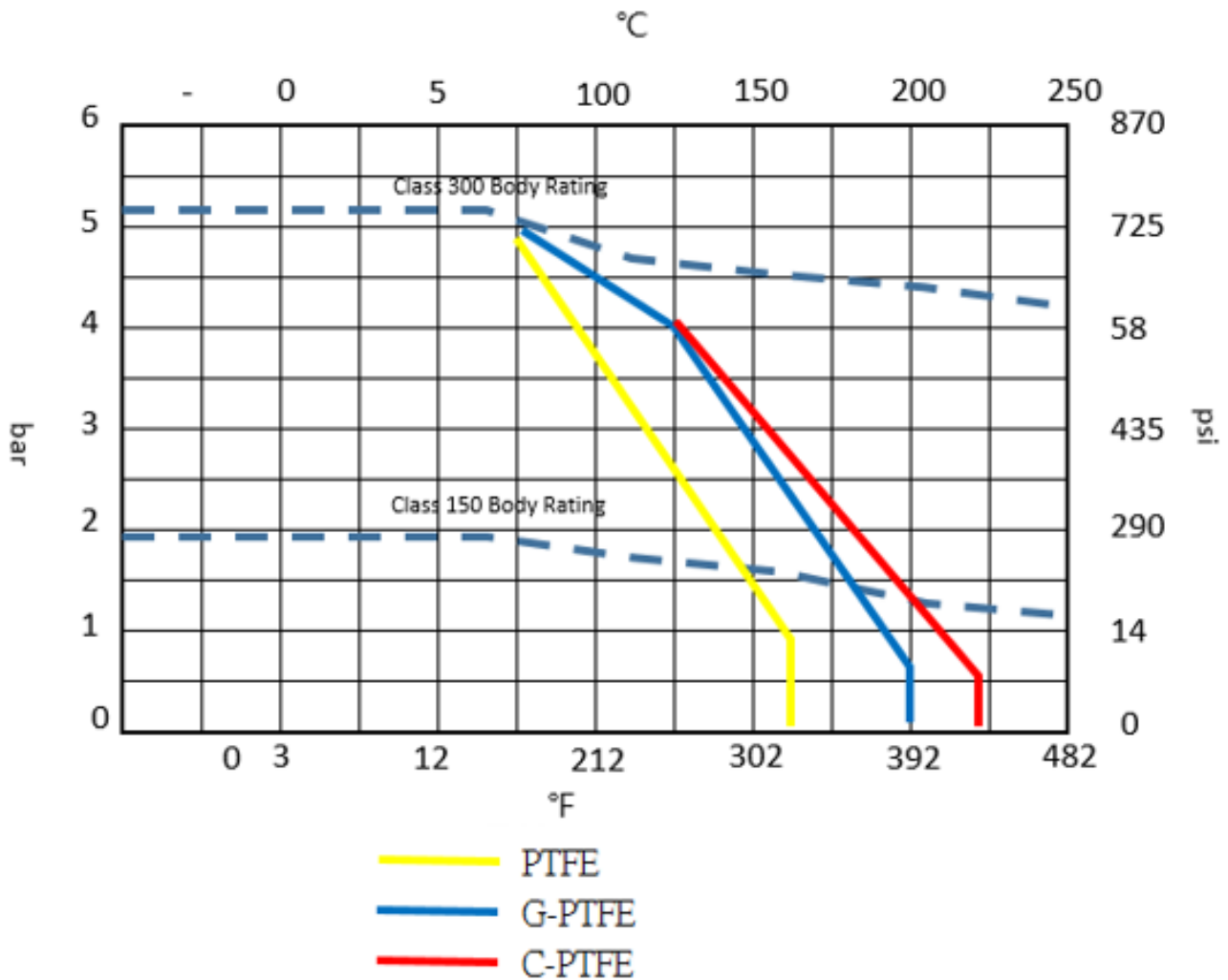
VOC TEST ISO 15848-2



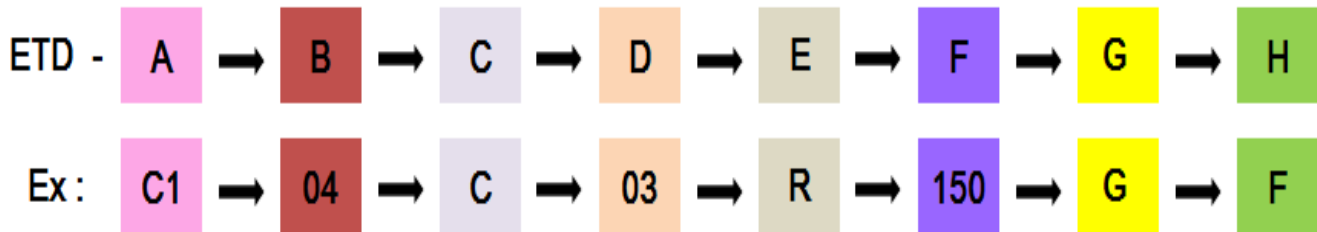
CERTIFICATES



Valve seat temperature and pressure curve rating



HOW TO ORDER



A.SPECIFICATION		B.BODY MAT'L		C.DISC MAT'L		D.STEM MAT'L	
A1	10K	03	CF8(1.4308)	A	CF8(1.4308)	02	A276-304
C1	ASME CLASS 150	04	CF8M(1.4408)	C	CF8M(1.4408)	03	A276-316
D2	DIN PN16	06	CF3M(1.4404)	E	CF3M(1.4404)		

E.SEAT MAT'L		F.SIZE		G.OPTION		H.END CONNECTION	
R	RPTFE	65	2 1/2"	L	LEVER	W	WAFER
		80	3"	G	GEAR	L	LUG
		100	4"	P	PURGE PORT (OPP)	F	FLANGE
		125	5"	A	AP		
		150	6"	B	BA		
		200	8"				
		250	10"				
		300	12"				
		350	14"				
		400	16"				
		450	18"				
		500	20"				
600	24"						

HOW TO ORDER

※ Alternative materials are available on request.



■ HEADQUARTERS

NO. 6-1, QINGNIAN RD., YANGMEI DIST., TAOYUAN CITY 326, TAIWAN
TEL +886-3-4965066 FAX +886-3-4963526 E-MAIL: sales@jdv.com.tw



Copyright 2020/07. All rights are reserved by JDV.
The technical data and content may be changed without prior notice.