



**JDV
CONTROL
VALVES**



SKA SKG SKH Series

GATE VALVE GLOBE VALVE CHECK VALVE





**JDV
CONTROL
VALVES**

SKA Series

FLANGE/SOCKET WELD ENDS, GATE VALVE

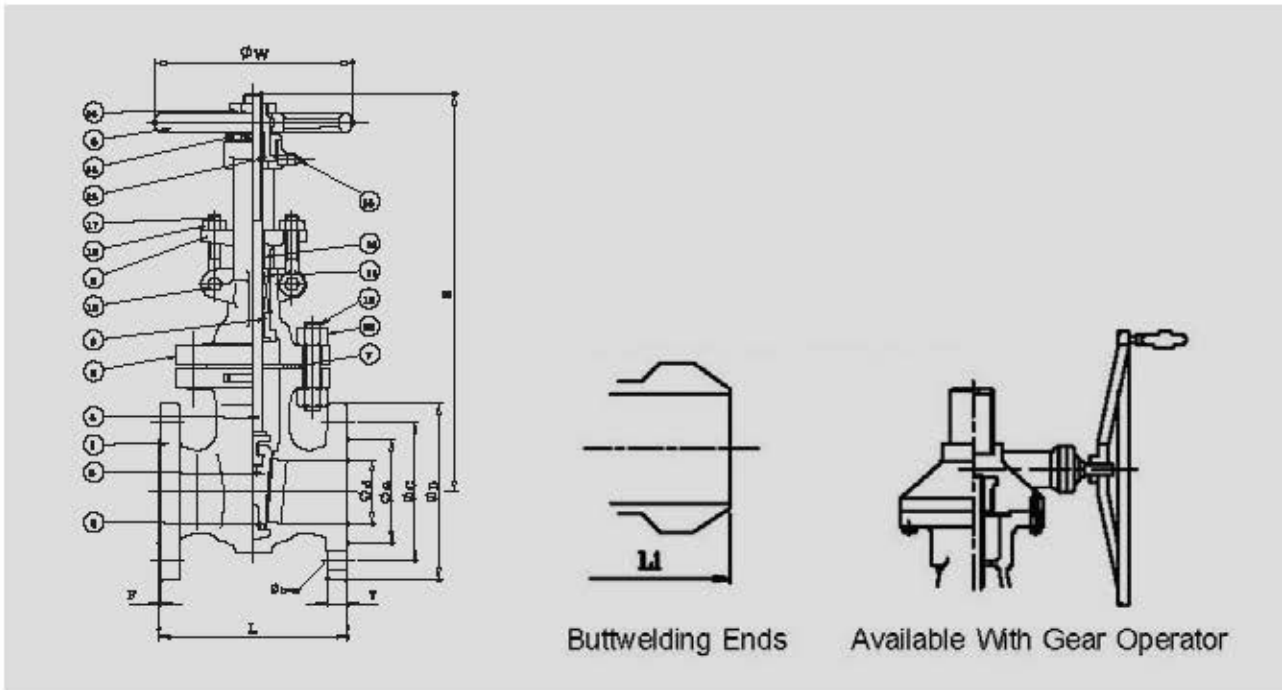
DESIGN DESCRIPTION:

- OUTSIDE SCREW AND YOKE
- BOLTED BONNET
- FLEXIBLE WEDGE, FULLY GUIDED
- RENEWABLE SEAT RINGS
- RISING STEM AND NON-RISING HANDWHEEL
- AVAILABLE WITH GEAR OPERATOR
- FLANGED ENDS
- BUTTWELDING ENDS



APPLICABLE STANDARDS:

- GATE VALVES, API 600
- STEEL VALVES, ANSI B16.34
- FACE TO FACE, ANSI B16.10
- END FLANGES, ANSI B16.5
- BUTTWELDING ENDS, ANSI B16.25
- INSPECTION AND TEST, API 598



Buttwelding Ends

Available With Gear Operator

PARTS AND MATERIAL (ASTM)

NO.	PARTS NAME	MATERIALS		
		WCB	WC6	LCB
1	Body	A216-WCB	A217-WC6	A352-LCB
2	Bonnet	A216-WCB	A217-WC6	A352-LCB
3	Disc	A215-WCB+HF 410	A217-WCB+HF 410	A352-LCB+HF 410
4	Stem	A182-F6a		
5	Seat	A105+H/F STLΦ6	A182-F11+H/F STLΦ6	A350-LF2+H/F STLΦ6
6	Hand Wheel	A47 / A536		
7	Gasket	Grafol + 316 Sheet		
8	Gland Flange	A216-WCB		
9	Bonnet Bush	A276-410		
10	Gland	A276-410		
11	Gland packing	Graphite		
12	Eye Bolt Pin	A276-410		
13	Stem Nut	A439-D2		
14	Retainer Nut	A36		
15	Nipple	Brass		
16	Wheel Nut	A36		
17	Eye Bolt	A307 B		
18	Eye Bolt Nut	A194-2H		
19	Bonnet Bolt	A193-B7	A193-B7	A193-B7M
20	Bonnet Bolt Nut	A194-2H	A194-2H	A194-2HM
21	Name Plate	A666-304		

OTHER MATERIALS ARE AVAILABLE UPON REQUEST.



DIMENSION(SKA-C1 SERIES ANSI-150LB)

SIZE	DIMENSION(mm)									
In	Φd	L	ΦD	ΦC	ΦG	T	F	H	W	n-Φh
Class 150LB										
1/2"	15	108	89	60.5	35	12	1.6	174	100	4-15
3/4"	20	117	98	70.0	43	12	1.6	182	100	4-15
1"	25	127	108	79.5	51	12	1.6	189	100	4-15
1-1/2"	40	165	127	98.5	73	15	1.6	229	138	4-15
2"	50	178	152	120.5	92	16	1.6	268	160	4-19
2-1/2"	65	190	178	139.5	105	18	1.6	331	200	4-19
3"	80	203	190	152.5	127	19	1.6	345	200	4-19
4"	100	229	229	190.5	157	24	1.6	401	224	8-19
5"	125	254	254	216.0	186	24	1.6	543	280	8-22
6"	150	267	279	241.5	216	26	1.6	561	280	8-22
8"	203	292	343	298.5	270	29	1.6	713	300	8-22
10"	254	330	406	362	324	31	1.6	1146	400	12-25
12"	305	356	483	432	381	32	1.6	1328	450	12-25
14"	337	381	533	476	413	35	1.6	1519	500	12-29
16"	387	406	597	540	470	37	1.6	1721	560	16-29
18"	438	432	635	578	533	40	1.6	1900	640	16-32
20"	489	457	699	635	584	43	1.6	2116	640	20-32
24"	591	508	813	749.5	692	48	1.6	2480	720	20-35

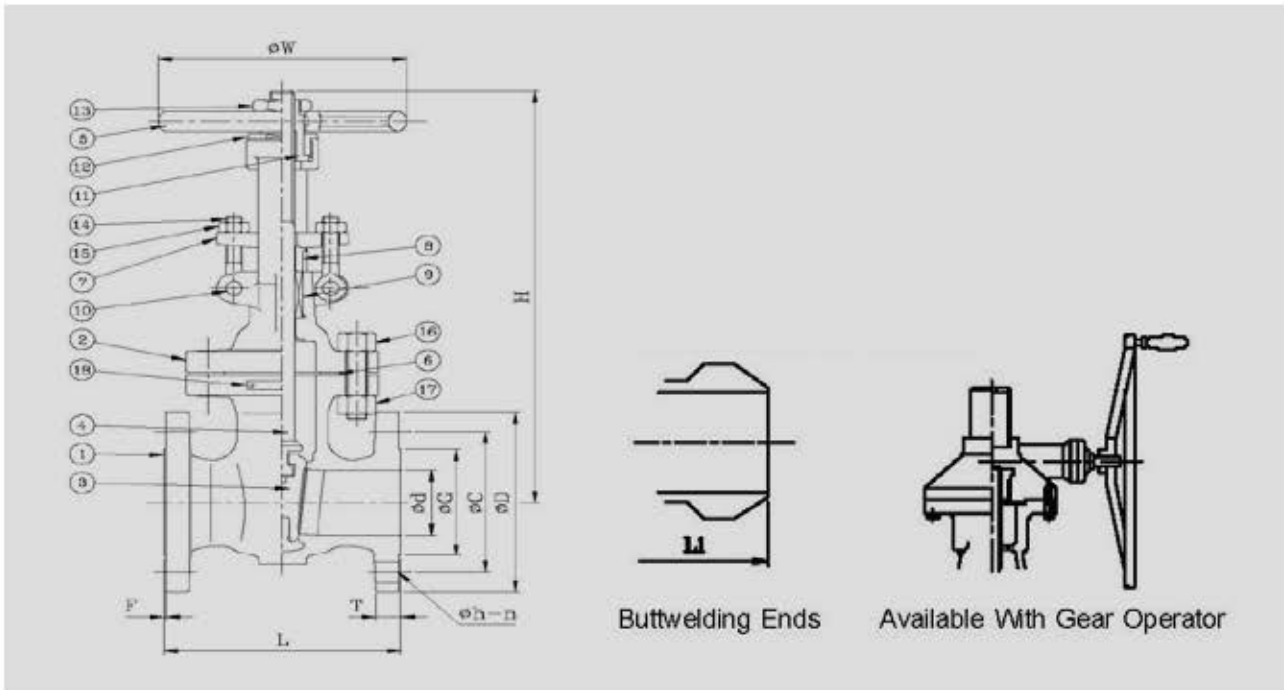
DIMENSION(SKA-C2 SERIES ANSI-300LB)

SIZE	DIMENSION(mm)									
In	Φd	L	ΦD	ΦC	ΦG	T	F	H	W	n-Φh
Class 300LB										
10"	254	457	445	387.5	324	48	1.6	1192	450	16-29
12"	305	502	521	451	381	51	1.6	1431	500	16-32
14"	337	762	584	514.5	413	54	1.6	1559	640	20-32
16"	387	838	648	571.5	470	58	1.6	1758	720	20-35
18"	432	914	711	628.5	533	61	1.6	1942	720	24-35
20"	483	991	775	686	584	64	1.6	2145	800	24-35

DIMENSION(SKA-C3 SERIES ANSI-600LB)

SIZE	DIMENSION(mm)									
In	Φd	L	ΦD	ΦC	ΦG	T	F	H	W	n-Φh
Class 600LB										
10"	248	787	508	432	324	64		1279	640	16-35
12"	298	838	559	489	381	67	6.4	1486	640	20-35
14"	327	889	603	527	413	70	6.4	1643	610*	20-38
16"	375	991	686	603	470	77	6.4	1798	610*	20-41
18"	419	1092	743	654	533	83	6.4	2101	720	20-44
20"	464	1194	813	724	584	89	6.4	2259	710*	24-44

With * recommended for gear box operation.



PARTS AND MATERIAL (ASTM)

NO.	PARTS NAME	MATERIALS		
		CF8	CF8M	CF3M
1	Body	A351-CF8	A351-CF8M	A351-CF3M
2	Bonnet	A351-CF8	A351-CF8M	A351-CF3M
3	Disc	A351-CF8	A351-CF8M	A351-CF3M
4	Stem	A182-F304	A182-F316	A182-F316L
5	Seat	A47/A536		
6	Gasket	PTFE / Grafoil + 316 Sheet		
7	Gland Flange	A351-CF8		
8	Gland	A351-CF8M		
9	Gland packing	PTFE / Graphite		
10	Eye Bolt Pin	A276-304		
11	Stem Nut	A439-D2 / Bronze		
12	Retainer Nut	A351-CF8		
13	Wheel Nut	B16		
14	Eye Bolt	A193-B8		
15	Eye Bolt Nut	A194-8		
16	Bonnet Bolt	A193-B8		
17	Bonnet Bolt Nut	A194-8		
18	Name Plate	A666-304		

OTHER MATERIALS ARE AVAILABEL UPON REQUEST.



JDV CONTROL VALVES

DIMENSION(SKA-C1 SERIES ANSI-150LB)

SIZE	DIMENSION(mm)									
	In	Φd	L	ΦD	ΦC	ΦG	T	F	H	W
Class 150LB										
1/2"	17	108	89	60.5	35	12	1.6	174	100	4-15
3/4"	20	117	98	70.0	43	12	1.6	182	100	4-15
1"	25	127	108	79.5	51	12	1.6	189	100	4-15
1-1/2"	32	140	117	89	64	13	1.6	252	100	4-15
2"	40	165	127	98.5	73	15	1.6	229	138	4-19
2-1/2"	50	178	152	120.5	92	16	1.6	337	200	4-19
3"	80	203	190	152.5	127	19	1.6	383	224	4-19
4"	100	229	229	190.5	157	24	1.6	477	280	8-19
6"	150	267	279	241.5	216	26	1.6	607	300	8-22
8"	203	292	343	298.5	270	29	1.6	762	350	8-22
10"	254	330	406	362	324	31	1.6	1146	400	12-25
12"	305	356	483	432	381	32	1.6	1328	450	12-25
14"	337	381	533	476	413	35	1.6	1519	500	12-29
16"	387	406	597	540	470	37	1.6	1721	560	16-29
18"	438	432	635	578	533	40	1.6	1900	640	16-32
20"	489	457	699	635	584	43	1.6	2116	640	20-32
24"	591	508	813	749.5	692	48	1.6	2480	720	20-35

DIMENSION(SKA-C2 SERIES ANSI-300LB)

SIZE	DIMENSION(mm)									
	In	Φd	L	ΦD	ΦC	ΦG	T	F	H	W
Class 300LB										
1/2"	15	140	95	66.5	35	15	1.6	179	100	4-15
3/4"	20	152	117	82.5	43	16	1.6	179	100	4-19
1"	25	165	124	89.0	51	18	1.6	221	138	4-19
1-1/2"	40	190	156	114.5	73	21	1.6	259	200	4-22
2"	50	216	165	127	92	23	1.6	275	200	8-19
2-1/2"	65	241	190	149	105	26	1.6	334	224	8-22
3"	80	283	210	168.5	127	29	1.6	384	224	8-22
4"	100	305	254	200	157	32	1.6	440	300	8-22
5"	150	381	279	235	186	35	1.6	601	350	8-22
6"	203	403	318	270	216	37	1.6	601	350	12-22
8"	203	419	381	330	270	42	1.6	774	400	12-25
10"	254	457	445	387.5	324	48	1.6	1192	450	16-29
12"	305	502	521	451	381	51	1.6	1431	500	16-32
14"	337	762	584	514.5	413	54	1.6	1559	640	20-32
16"	387	838	648	571.5	470	58	1.6	1758	720	20-35
18"	432	914	711	628.5	533	61	1.6	1942	720	24-35
20"	483	991	775	686	584	64	1.6	2145	800	24-35

DIMENSION(SKA-C3 SERIES ANSI-600LB)

SIZE	DIMENSION(mm)									
	In	Φd	L	ΦD	ΦC	ΦG	T	F	H	W
Class 600LB										
10"	248	787	508	432	324	64	6.4	1279	640	16-35
12"	298	838	559	489	381	67	6.4	1486	640	20-35
14"	327	889	603	527	413	70	6.4	1643	610*	20-38
16"	375	991	686	603	470	77	6.4	1798	610*	20-41
18"	419	1092	743	654	533	83	6.4	2101	720	20-44
20"	464	1194	813	724	584	89	6.4	2259	710*	24-44

HOW TO ORDER

SKA → **A** → **B** → **C** → **D** → **E** → **F** → **G**

Ex: SKA → **C1** → **03** → **A** → **A** → **A** → **100** → **F**

A. SPECIFICATION	B. BODY MAT'L	C. DISC	D. STEM MAT'L
C1 ANSI 150LB	02 WCB	W WCB	A 304
C2 ANSI 300LB	03 CF8	A CF8	C 316
C3 ANSI 600LB	04 CF8M	C CF8M	D 304L
C4 ANSI 900LB	05 CF3	D CF3	E 316L
C5 ANSI 1500LB	06 CF3M	E CF3M	

E. SEAT	F. SIZE	G. END CONNE CTION
W WCB	015 1/2"	F FLANGE
A VF8	020 3/4"	B THREAD/SO
C CF8M	025 1"	CKET
D CF3	040 1-1/2"	
E CF3M	050 2"	
	065 2-1/2"	
	080 3"	
	100 4"	
	125 5"	
	150 6"	
	200 8"	
	250 10"	
	300 12"	
	350 14"	
	400 16"	
	450 18"	
	500 20"	
	600 24"	



**JDV
CONTROL
VALVES**

SKG Series

GLOBE VALVE FLANGED SOCKET WELDED ENDS

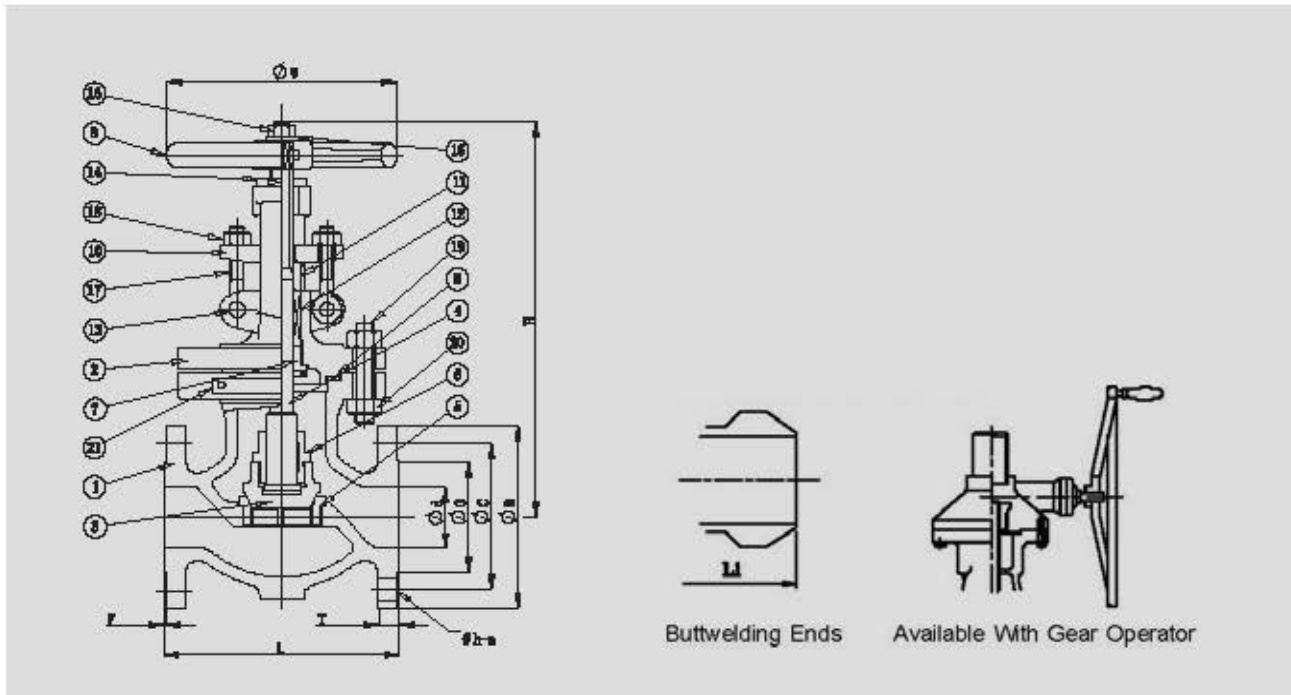
DESIGN DESCRIPTION:

- OUTSIDE SCREW AND YOKE
- BOLTED BONNET
- RISING STEM AND HANDWHEEL
(IMPACT-HAMMER
HANDWHEEL FOR 10" & OVER.)
- YOKE INTEGRAL WITH BONNET
- LOOSE DISC
- RENEWABLE SEAT RINGS
- FLANGED ENDS
- BUTTWELDING ENDS



APPLICABLE STANDARDS:

- STEEL VALVES, ANSI B16.34
- FACE TO FACE, ANSI B16.10
- END FLANGES, ANSI B16.5
- BUTTWELDING ENDS, ANSI B16.25
- INSPECTION AND TEST, API 598



NO.	PARTS NAME	MATERIALS			MATERIALS		
		WCB	WC6	LCB	CF8	CF8M	CF3M
1	Body	A216-WCB	A217-WC6	A352-LCB	A351-CF8	A351-CF8M	A351-CF3M
2	Bonnet	A216-WCB	A217-WC6	A352-LCB	A351-CF8	A351-CF8M	A351-CF3M
3	Disc	A216-WCB+H/F 410	A217-WC6+H/F 410	A352-LCB+H/F 410	A351-CF8	A351-CF8M	A351-CF3M
4	Stem	A276-410			A182-F304	A182-F316	A182-F316L
5	Seat	A105+H/F STL#6	A182-F11+H/F STL#6	A350-LF2+H/F STL#6	/		
6	Disc Nut	A276-410			A276-304	A276-316	A276-316L
7	Back Seat	A276-410			/		
8	Hand Wheel	A47/A536			A47/A536		
9	Gasket	Grafoil+316 Sheet			PTFE/ Grafoil+316 Sheet		
10	Gland Flange	A216-WCB			A351-CF8		
11	Gland	A276-410			A351-CF8M		
12	Gland Packing	Graphite			PTFE/ Graphite		
13	Eye Bolt Pin	A276-410			A276-304		
14	Stem Nut	A439-D2			A439-D2/A276-410		
15	Washer	A36+ Zn Plate			A240-304		
16	Wheel Nut	A194-2H			AISI304		
17	Eye Bolt	A307 B			A193-B8		
18	Eye Bolt Nut	A194-2H			A194-8		
19	Bonnet Bolt	A193-B7	A193-B7	A193-B7M	A193-B8		
20	Bonnet Bolt Nut	A194-2H	A194-2H	A194-2HM	A194-8		
21	Name Plate	A666-304			A666-304		

OTHER MATERIALS ARE AVAILABLE UPON REQUEST.



DIMENSION(SKG-C1 SERIES ANSI-150LB)

SIZE	DIMENSION(mm)									
In	Φd	L	ΦD	ΦC	ΦG	T	F	H	W	n-Φh
Class 150LB										
1/2"	15	108	89	60.5	35	12	1.6	165	100	4-15
3/4"	20	117	98	70.0	43	12	1.6	171	100	4-15
1"	25	127	108	79.5	51	12	1.6	185	100	4-15
1-1/2"	40	165	127	98.5	73	15	1.6	214	138	4-15
2"	50	203	152	120.5	92	16	1.6	235	160	4-19
3"	76	241	190	152.5	127	19	1.6	336	200	4-19
4"	102	292	229	190.5	157	24	1.6	357	224	8-19
6"	152	406	279	241.5	216	26	1.6	421	280	8-22
8"	200	495	343	298.5	270	29	1.6	491	300	8-22
10"	254	622	406	362	324	31	1.6	754	450	12-25
12"	305	698	483	432	381	32	1.6	941	640	12-25
14"	337	787	533	476	413	35	1.6	1023	640	12-29
16"	387	914	597	540	470	37	1.6	1102	640	16-29

DIMENSION(SKG-C2 SERIES ANSI-300LB)

SIZE	DIMENSION(mm)									
In	Φd	L	ΦD	ΦC	ΦG	T	F	H	W	n-Φh
Class 300LB										
1/2"	15	152	95	66.5	35	15	1.6	175.5	100	4-15
3/4"	20	178	117	82.5	43	16	1.6	176.5	100	4-19
1"	25	203	124	89	51	18	1.6	203	138	4-19
1-1/2"	40	229	156	114.5	73	21	1.6	238	200	4-22
2"	50	267	165	127	92	23	1.6	249	200	8-19
3"	76	318	210	168.5	127	29	1.6	365	280	8-22
4"	102	356	254	200	157	32	1.6	421	350	8-22
6"	152	444	318	270	216	37	1.6	606	400	12-22
8"	200	559	381	330	270	42	1.6	697	450	12-25
10"	254	622	445	387.5	324	48	1.6	949	560	16-29
12"	305	711	521	451	381	51	1.6	996	640	16-32

DIMENSION(SKG-C3 SERIES ANSI-600LB)

SIZE	DIMENSION(mm)									
In	Φd	L	ΦD	ΦC	ΦG	T	F	H	W	n-Φh
Class 600LB										
10"	248	787	508	432	324	64	1.6	1040	640	16-35
12"	298	838	559	489	381	67	1.6	1280	640	20-35

HOW TO ORDER

SKG → **A** → **B** → **C** → **D** → **E** → **F** → **G**

Ex: SKG → **C1** → **03** → **A** → **A** → **A** → **100** → **F**

A. SPECIFICATION	B. BODY MAT'L	C. DISC	D. STEM MAT'L
C1 ANSI 150LB	02 WCB	W WCB	A 304
C2 ANSI 300LB	03 CF8	A CF8	C 316
C3 ANSI 600LB	04 CF8M	C CF8M	D 304L
	05 CF3	D CF3	E 316L
	06 CF3M	E CF3M	

E. SEAT	F. SIZE	G. END CONNECTION
W WCB	015 1/2"	F FLANGE
A CF8	020 3/4"	B THREAD/SOCKET
C CF8M	025 1"	
D CF3	040 1-1/2"	
E CF3M	050 2"	
	065 2-1/2"	
	080 3"	
	100 4"	
	125 5"	
	150 6"	
	200 8"	
	250 10"	
	300 12"	
	350 14"	
	400 16"	
	450 18"	
	500 20"	
	600 24"	



**JDV
CONTROL
VALVES**

SKH Series

CHECK VALVE FLANGED/SOCKET WELDED ENDS

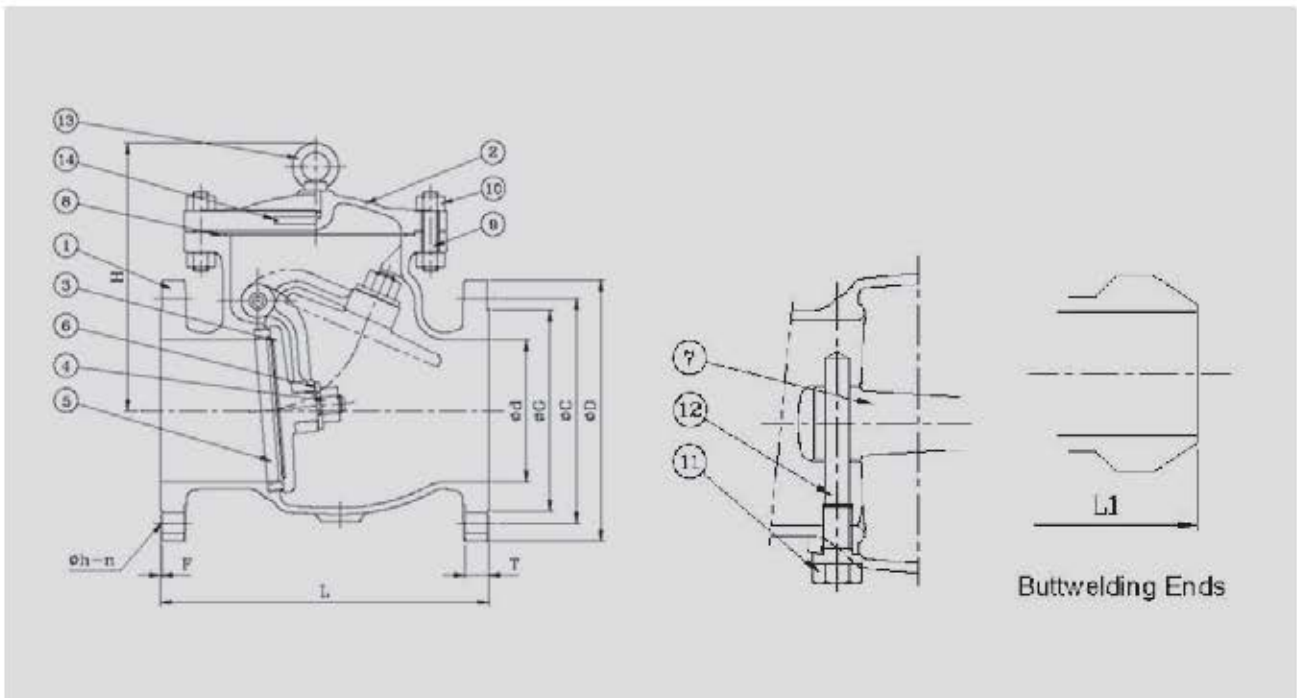
DESIGN DESCRIPTION:

- BOLTED COVER
- SWING TYPE
- FOR HORIZONTAL OR VERTICAL LINES
- RENEWABLE SEAT RING
- FLANGED ENDS
- BUTTWELDING ENDS

APPLICABLE STANDARDS:

- STEEL VALVES, ANSI B16.34
- FACE TO FACE, ANSI B16.10
- END FLANGES, ANSI B16.5
- BUTTWELDING ENDS, ANSI B16.25
- INSPECTION AND TEST, API 598





PARTS AND MATERIAL (ASTM)

NO.	PARTS NAME	MATERIALS			MATERIALS		
		WCB	WC6	LCB	CF8	CF8M	CF3M
1	Body	A216-WCB	A217-WC6	A352-LCB	A351-CF8	A351-CF8M	A351-CF3M
2	Cover	A216-WCB	A217-WC6	A352-LCB	A351-CF8	A351-CF8M	A351-CF3M
3	Disc	A216-WCB+H/F F 410	A217-WC6+H/F 410	A352-LCB+H/F 410	A351-CF8	A351-CF8M	A351-CF3M
4	Disc Nut	A194-8			A194-8	A194-8M	A194-8M
5	Seat Ring	A 1 0 5 + H / F STL#6	A217-WC6+H/F STL#6	A350-LF2+H/F STL#6	/		
6	Disc Washer	A276-304			A276-304	A276-316	A276-316L
7	Swing Arm	A216-WCB	A217-WC6	A352-LCB	A351-CF8	A351-CF8M	A351-CF3M
8	Gasket	Grafoil+316 Sheet			PTFE/ Grafoil+316 Sheet		
9	Cover Bolt	A193-B7			A193-B7	A193-B7M	A193-B8
10	Cover Bolt Nut	A194-2H			A194-2H	A194-2HM	A194-8
11	Plug	A276-410			A276-304	A276-316	A276-316L
12	Hinge Pin	A276-410			A276-304	A276-316	A276-316L
13	Eye Bolt	A36+ Zn Plate			A36+ Zn Plate		
14	Name Plate	A666-304			A666-304		

OTHER MATERIALS ARE AVAILABLE UPON REQUEST.



JDV CONTROL VALVES

DIMENSION(SKH-C1 SERIES ANSI-150LB)

SIZE	DIMENSION(mm)									
	In	Φd	L	ΦD	ΦC	ΦG	T	F	H	n-Φh
Class 150LB										
1/2"	15	108	89	60.5	35	12	1.6	67	4-15	
3/4"	20	117	98	70.0	43	12	1.6	71	4-15	
1"	25	127	108	79.5	51	12	1.6	80	4-15	
1-1/2"	40	165	127	98.5	73	15	1.6	96	4-15	
2"	50	203	152	120.5	92	16	1.6	108	4-19	
2-1/2"	64	216	178	139.5	105	18	1.6	157	4-19	
3"	76	241	190	152.5	127	19	1.6	165	4-19	
4"	102	292	229	190.5	157	24	1.6	218	8-19	
5"	127	330	254	216.0	186	24	1.6	255	8-22	
6"	152	356	279	241.5	216	26	1.6	296	8-22	
8"	200	495	343	298.5	270	29	1.6	354	8-22	
10"	254	622	406	362	324	31	1.6	398	12-25	
12"	305	698	483	432	381	32	1.6	525	12-25	
14"	337	787	533	476	413	35	1.6	553	12-29	
16"	387	864	597	540	470	37	1.6	584	16-29	
18"	438	978	635	578	533	40	1.6	668	16-32	
20"	489	978	699	635	584	43	1.6	712	20-32	
24"	591	1295	813	749.5	692	48	1.6	740	20-35	

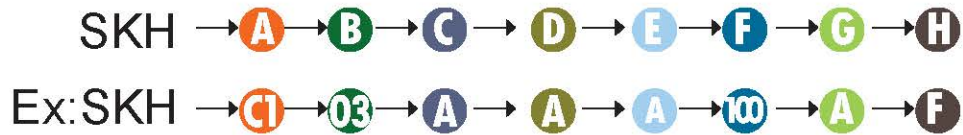
DIMENSION(SKH-C2 SERIES ANSI-300LB)

SIZE	DIMENSION(mm)									
	In	Φd	L	ΦD	ΦC	ΦG	T	F	H	n-Φh
Class 300LB										
1/2"	17.9	152	95	66.5	35	15	1.6	84	4-15	
3/4"	20.0	178	117	82.5	43	16	1.6	85	4-19	
1"	25.0	216	124	89	51	18	1.6	88	4-19	
1-1/2"	40.0	241	156	114.5	73	21	1.6	91	4-22	
2"	51.0	267	165	127	92	23	1.6	101	8-19	
2-1/2"	64	292	190	149	105	26	1.6	157	8-22	
3"	76	318	210	168.5	127	29	1.6	172	8-22	
4"	102	356	254	200	157	32	1.6	225	8-22	
5"	127	400	279	235	186	35	1.6	255	8-22	
6"	152	444	318	270	216	37	1.6	296	12-22	
8"	200	533	381	330	270	42	1.6	354	12-25	
10"	254	622	445	387.5	324	48	1.6	483	16-29	
12"	305	711	521	451	381	51	1.6	555	16-32	
14"	337	838	584	514.5	413	54	1.6	585	20-32	
16"	387	864	648	571.5	470	58	1.6	615	20-35	
18"	432	978	711	528.5	533	64	1.6	643	24-35	
20"	483	1016	775	686	584	64	1.6	681	24-35	
24"	584	1346	914	813	692	70	1.6	710	24-41	

DIMENSION(SKH-C3 SERIES ANSI-600LB)

SIZE	DIMENSION(mm)									
	In	Φd	L	ΦD	ΦC	ΦG	T	F	H	n-Φh
Class 600LB										
10"	248	787	508	432	324	64	6.4	490	16-35	
12"	298	838	559	489	381	67	6.4	528	20-35	
14"	327	889	603	527	413	70	6.4	572	20-38	
16"	375	991	686	603	470	77	6.4	660	20-41	
18"	419	1092	743	654	533	83	6.4	720	24-44	
20"	464	1190	813	724	584	89	6.4	746	24-44	
24"	559	1397	940	838	692	102	6.4	960	24-52	

HOW TO ORDER



A. SPECIFICATION	B. BODY MAT'L	C. DISC	D. STEM MAT'L
C1 ANSI 150LB	02 WCB	W WCB	A 304
C2 ANSI 300LB	03 CF8	A CF8	C 316
C3 ANSI 600LB	04 CF8M	C CF8M	D 304L
	05 CF3	D CF3	E 316L
	06 CF3M	E CF3M	

E. SEAT	F. SIZE	G END CONNE CTION	G END CONNE CTION
W WCB	015 1/2"	A SWING	F FLANGE
A CF8	020 3/4"	B LIFT	B THREAD/SO
C CF8M	025 1"	C MULTI-DISC	CKET
D CF3	040 1-1/2"		
E CF3M	050 2"		
	065 2-1/2"		
	080 3"		
	100 4"		
	125 5"		
	150 6"		
	200 8"		
	250 10"		
	300 12"		
	350 14"		
	1350 54"		



■ HEADQUARTERS

No. 6-1, Qingnian Rd., Yangmei City, Taoyuan County 326, Taiwan

Tel: +886-3-4965066

Fax: +886-3-4963526

E-MAIL: sales@jdv.com.tw

■ JDV (SHANGHAI) FACTORY

Building 10, No.3585, San Lu Road, Pujiang Town, Shanghai, China (201114)

Tel: +86-21-6429-6118

Fax: +86-21-6429-7088

E-MAIL: Webmaster@jdv.com.cn



Copyright 2014/11. All rights are reserved by JDV.
The technical date and content may be changed without prior notice.