



JDV
CONTROL
VALVES



JDV ATTACHMENT SOLENOID VALVE LIMIT SWITCH FILTER REGULATOR





**JDV
CONTROL
VALVES**

SV Series

SOLENOID VALVE

FEATURES

- Can work without oil.
- Life is long that can work more than ten million times under the condition of laboratory.
- NAMUR type two three links, two five-way swaps.

USE TIPS

Installation can be in horizontal or vertically position.

Try to choose the location of the little vibration.

Takeover

1. Before the installation ,it needs blow out pipe impurities with clean compressed air.
2. pipeline must be as short as possible between actuator and solenoid valve, that can both save the compressed air and speed up the action time of actuators.

Environment

- 1、The series of valve should avoid using in the following environments.
- 2、Higher than 80 °C or infrared irradiation environment.

Lubrication

This series can lubricate without oil ,but can use anti-rust turbine oil or its equivalent brand.

The lowest operating frequency

Require at least a 30 angel. If this product stored long times, low pressure causes movement difficulties. Please use above 0.5 MPa pressure, and then use the set pressure.



THE ELECTROMAGNETIC COIL PARAMETERS

ORDINARY TYPE COIL PARAMETERS

Rated Voltage		AC110V50HZ	AC220V50HZ	DC12V
The range of permissible voltage		± 15%	± 15%	± 15%
Starting Current	50HZ	25 mA	50 mA	84 mA
	60 HZ	30 mA	60 mA	101 mA
Working Current	50 HZ	7 mA	125 mA	22 mA
	60 HZ	8.4 mA	15 mA	27 mA
Rated Power	50 HZ	7.5 VA	7.5 VA	5W
	60 HZ	8 VA	8 VA	55V
The choice of Voltage range		DC24V;DC48V;AC110V;AC120V;AC220V;AC240V		

Remark:

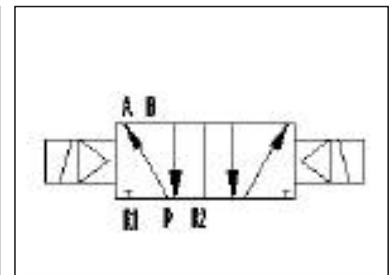
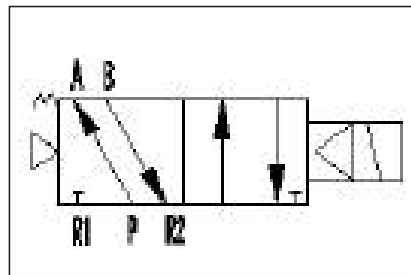
1. the frequency of alternating voltage has 50 hz and 60 hz.
2. Please mark out when using 60 hz voltage or else suppling with 50HZ

ORDER NUMBER

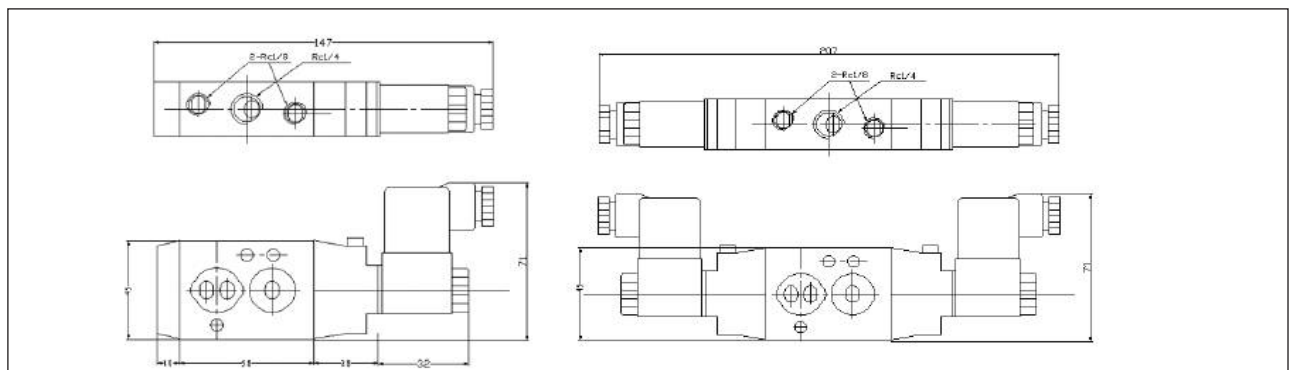
Mode	Acting Type	Switching Method	Voltage	Mounting Type
SV-	3 3/2Way 5/2Way	1 Single electric control Return Type 2 Double electric control Detent Type	1 AC 48V 2 AC 110V 3 AC 240V 5 AC 220V 8 DC 24V	N NAMUR

TECHNICAL PARAMETERS

1. Eversing time (s): <0.05
2. Pipe thread: G1/4; G3/8
3. Tolerance pressure: 1.4MPa
4. Weight (g): Single electric control 310,
Double electric control 480



NAMUR TYPE





SPL Series

LIMIT SWITCH

PRODUCT FEATURES

- Shell with die casting aluminum alloy , the surface with powder static coating , solid and corrosion resistant.
- Valve switch state can be clearly identified by indicator.
- Terminal blocks with reliable 45° tilt designed ; on the top of the thread for terminal bolts with a silver-gilt plate; ensure the safely and convenience for wire connection.
- Limit cam installed on the shaft with spline shaft and spring.The limit opening can be easily adjusted without tools.
- The top of stainless steel shaft connecting part and mounting bracket are all up to the NAMUR standard , easy for installation.
- Standard electrical interface.



SPL-3 Series



SPL-2 Series



SPL-4Series




SPL-5Series



SPL-6Series

TECHNIQUE PARAMETER

Model	SPL-2 Series		SPL-3 Series		SPL-4Series/ SPL-6Series		SPL-5Series	
	Standard	Options	Standard	Options	Standard	Options	Standard	Options
Shell	IP67		IP67		IP67/Exd II BT6		IP67/Exd II CT6	
Environment temperature	-25℃ -85℃							
Electrical interface	2*1/2NPT	M20*1.5	2*1/2NPT	M20*1.5	2*3/4NPT	RC3/4	2*3/4NPT	RC3/4
		RC1/2		RC1/2				
Terminal	8		8	9~24	8	9~24	8	9~24
	Certification standards 							
Location hints	Open: Yellow Closed: Red							
Micro switch	Mechanical switch	Mechanical switch		Mechanical switch		Mechanical switch		
		Proximity sensor		Proximity sensor		Proximity sensor		
		Magnet sensor		Magnet sensor		Magnet sensor		
Potential needle	1k ohm(0-5k ohm,0-10k ohm)							
Current feedback	4~20mA							

MAGNETIC INDUCTION SWITCH

PRODUCT FEATURES

The magnetic induction switch a kind of wire passive switch to control by use of magnetic field signal. As a sensor, permatron uses to perceive the open or closed state. It includes 2-wire and 3-wire. Low-temperature resistance, can be used in -40 environment. Corrosion-resistant, so dynamic with long life. High Performance Security, action without spark.



FEATURE

- Low temperature resistance, can be used to 40 °C environment.
- Corrosion resistance, long service life.
- High safety performance, Action without spark.

WIRE MAGNET SWITCH CAN MEET

Working voltage	5~240V AC/DC
Working current	0-300Ma
Rated power	10W
Sensor type	Magnet
Operating distance	1~6mm
Switching frequency	0~4.8KHZ
Output type	2 wire 2 - wire (3 wire system optional Option: 3 - wire)
Temperature range	-40°C -85°C

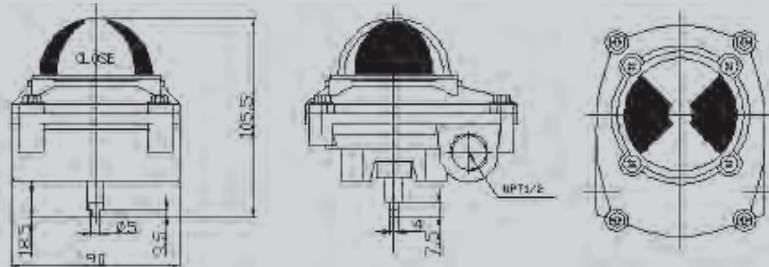
SWITCHING SPECIFICATIONS

Mechanical switch	Contact arrangement	Standard	Options	Except series
	DC125V 0.6A, AC250V 16A	2*SPDT	4*SPDT: DC125V 0.6A,AC125V 5A	4*SPDT SPL-2
Proximity sensor	Voltage range 10~30V DC	Operating distance 5mm	Factory & model Autonics.PS17-5DNU	SPL-2
Proximity sensor	Voltage range 8V DC	Operating distance 2mm	Factory & model P & F.NJ2-V3-N	SPL-2
Magnet sensor	Voltage range 5~240V AC/DC	Operating distance 1~6mm	Temperature range -40°C ~85	SPL-2

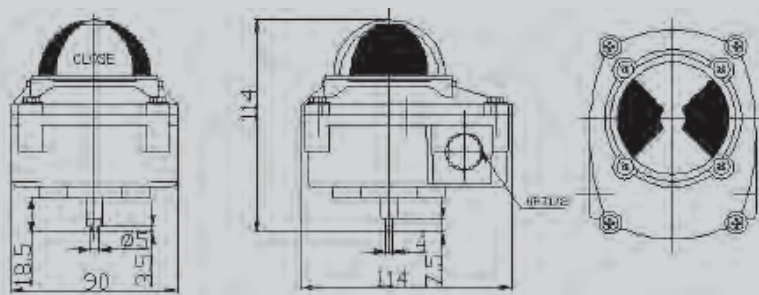


JDV CONTROL VALVES

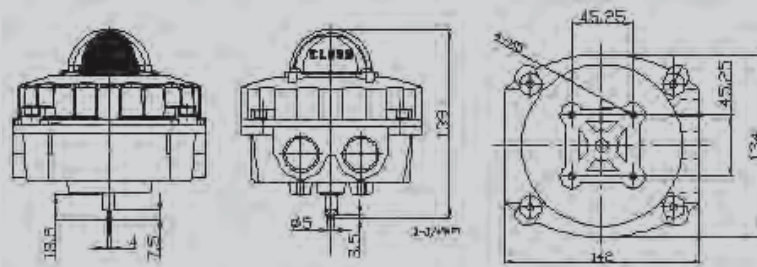
SPL-2 Series



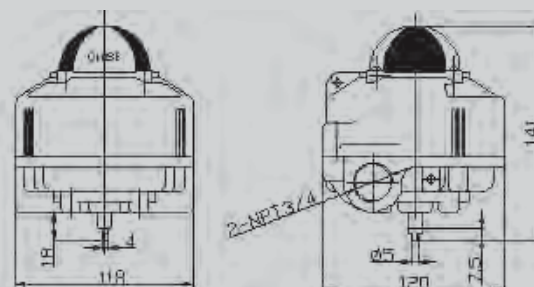
SPL-3 Series



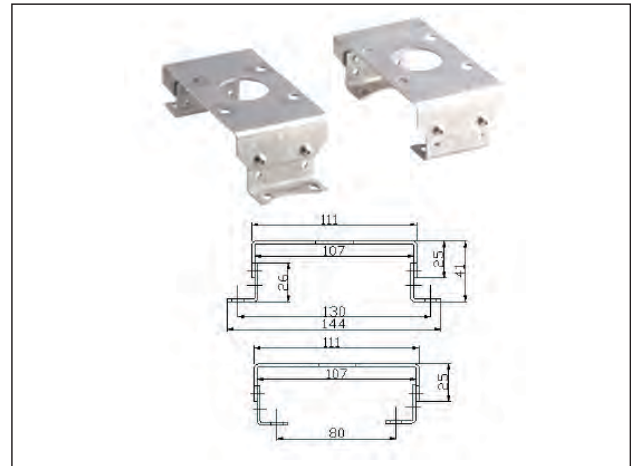
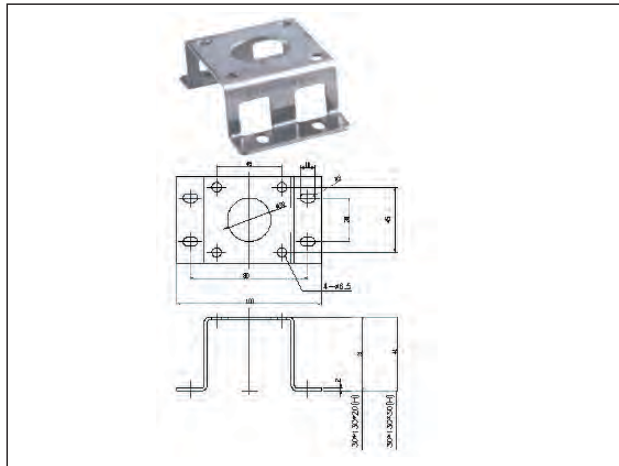
SPL-4 Series



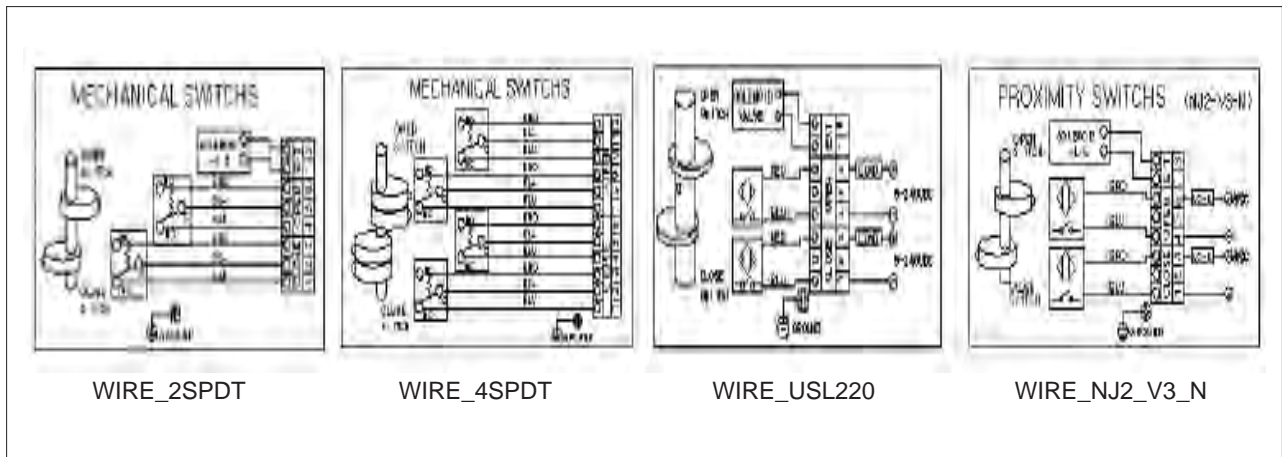
SPL-5 series



BRACKET



WIRE



ORDERING INFORMATION

SPL-	3	1	0
Mode	Enclosure type	Switching type	Options
SPL-	2= IP 67 Ingenuity Enclosure 3= IP 67 Weather proof 4= Exd II BT6,IP67 Explosion proof 5= Exd II BT6,IP67 Explosion proof 6= Exd II CT6,IP67 316 stainless steel Explosion proof	1= Mechanical switch	0=2*SPDT 2=4*SPDT 4=2*DPDT 5=2*SPDT+ Potentiometer (0~1K Ω) 6=2*SPDT+ Signal unit (4~20mA)
		2= Magnet sensor Proximity sensor	0= Magnet sensor 2, 3 Standard: 2-Wire Option: 3-Wire 1=NJ2-V3-N (Exia II CT6) 2=NJ4-12GK-SN (Exia II CT6) Ambient temp : -50°C ~100°C 3=PS17-5DNU 2, 3 Standard: 2-Wire Option: 3-Wire



**JDV
CONTROL
VALVES**

SW Series FILTER AND REGULATOR

FEATURES

Diaphragm-type structure, with a good pressure regulating performance, excellent repeatability and stability.
Full metal outer covering, the material includes two kinds of aluminum alloy and stainless steel. Vinyl coating, so as with strong corrosion resistance.
Features with overflow.
Multiple fitting styles, conveniently to mount. S-50SS Low-temperature products, apply to the -40°C environment.

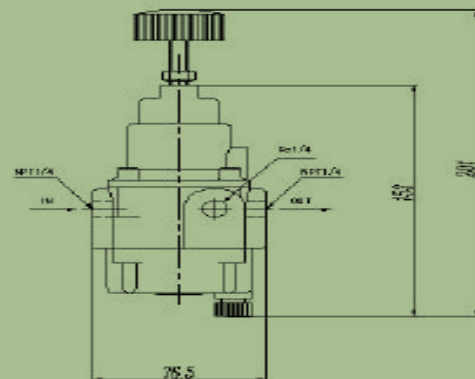
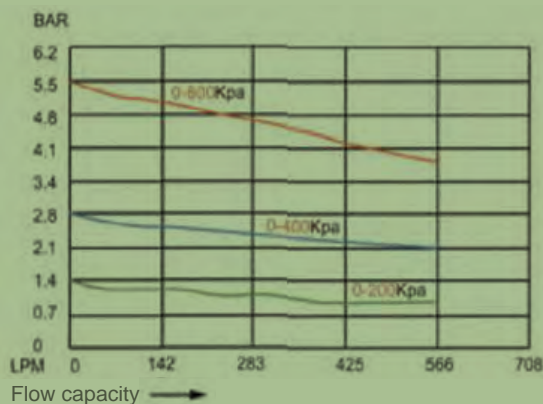


SW-T50

TECHNIQUE PARAMETER

Portsize	G1/4" NPT1/4"
Ensured pressure resistance	1.5Mpa(15kgf/cm ²)
Maximum supply pressure	1.0Mpa(10kgf/cm ²)
Temperature ranges	$-40^{\circ}\text{C} \sim 100^{\circ}\text{C}$
Filter precision	5 μm
Material	Aluminum alloy
	316 Stainless steel 316
Flow capacity	600L/min
Output pressure ranges	0.05Mpa~0.8Mpa(0.5~8kgf/cm ²)
Valve type	With overflow

FLOW CHARACTERISTIC CURVE



SW Series

FEATURES

SW-20B

SW20BL

Air filter regulator combines by filter and regulator , also named air preddure regulator-filter.

For filter part, it can filter dust,rust and condensate in the compressed air. The filter features new whirlwind blade design, with high water diversion efficiency.Inaddition , it is fitted with a water discharge device.

The relief valve has a balanced-type piston pressure regulating structure features with good stability , high precision and well sensitivity.

Relief valve can adjust compressed air pressure to a setting pressure and to a steady.When system pressure is higher than setting pressure, the overflow air system can make pressure to stead again.

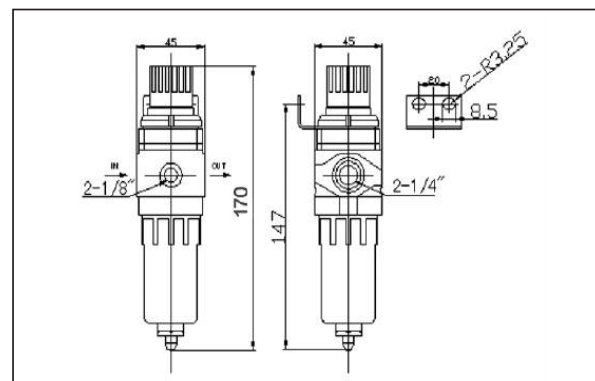
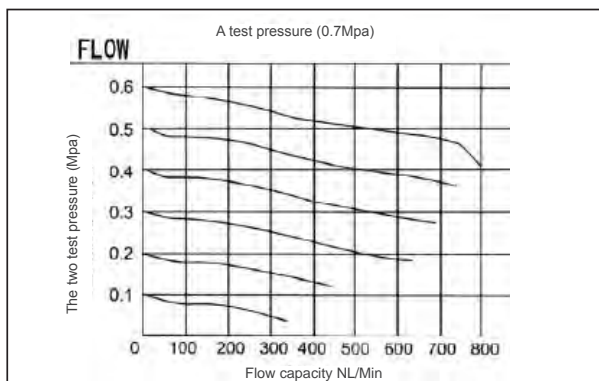
SW20BL is a type with lubricator.



TECHNIQUE PARAMETER

Model	SW-20B
Portsize	G1/4"
Ensured pressure resistance	1.5Mpa(15kgf/cm ²)
Maximum supply pressure	1.0Mpa(10kgf/cm ²)
Temperature ranges	-20℃ ~85℃
Filter precision	5 μ m
Material	Aluminum alloy
Flow capacity	800L/min
Output pressure ranges	0.05Mpa~0.8Mpa(0.5~8kgf/ cm ²)
Valve type	With overflow

FLOW CHARACTERISTIC CURVE





JDV CONTROL VALVES

SW-30B/40B

SW30BL(40BL)

Air filter regulator combines by filter and regulator , also named air preddure regulator-filter.

For filter part, it can filter dust,rust and condensate in the compressed air. The filter features new whirlwind blade design, with high water diversion efficiency.Inaddition , it is fitted with a water discharge device.

The relief valve has a balanced-type piston pressure regulating structure features with good stability , high precision and well sensitivity.

Relief valve can adjust compressed air pressure to a setting pressure and to a steady.When system pressure is higher than setting pressure, the overflow air system can make pressure to stead again.

SW30BL(40BL) is a type with lubricator.

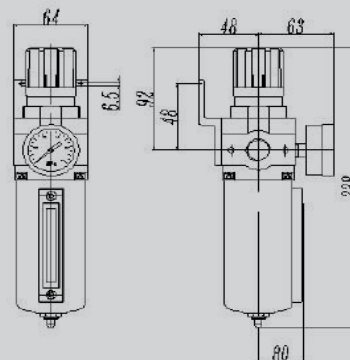
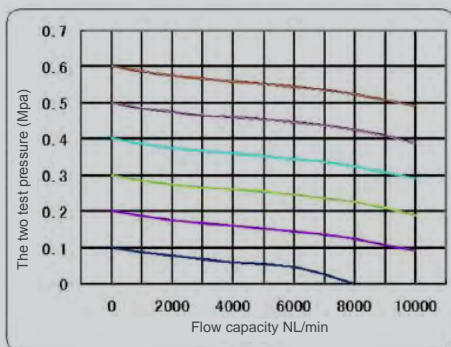


TECHNIQUE PARAMETER

Model	SW-30B	SW-40B
Portsize	G3/8"	G1/2"
Ensured pressure resistance	1.5Mpa(15kgf/cm ²)	1.5Mpa(15kgf/cm ²)
Maximum supply pressure	1.0Mpa(10kgf/cm ²)	1.0Mpa(10kgf/cm ²)
Temperature ranges	-20℃ ~85℃	-20℃ ~85℃
Filter precision	5 μ m	5 μ m
Material	Aluminum alloy	Aluminum alloy
Flow capacity	2000L/min	2500L/min
Output pressure ranges	0.05Mpa~0.8Mpa(0.5~8kgf/ cm ²)	0.05Mpa~0.8Mpa(0.5~8kgf/ cm ²)
Valve type	With overflow	With overflow

FLOW CHARACTERISTIC CURVE

The inlet pressure: 0.7Mpa



SW-50B/60B

SW50BL (60BL)

Air filter regulator combines by filter and regulator , also named air pressure regulator-filter.

For filter part, it can filter dust,rust and condensate in the compressed air. The filter features new whirlwind blade design, with high water diversion efficiency.Inaddition , it is fitted with a water discharge device.

The relief valve has a balanced-type piston pressure regulating structure features with good stability , high precision and well sensitivity.

Relief valve can adjust compressed air pressure to a setting pressure and to a steady.When system pressure is higher than setting pressure, the overflow air system can make pressure to steady again.

SW50BL/UW60BL is a type with lubricator.

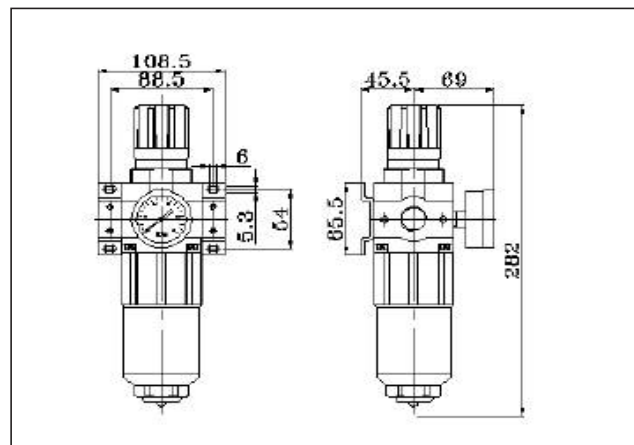
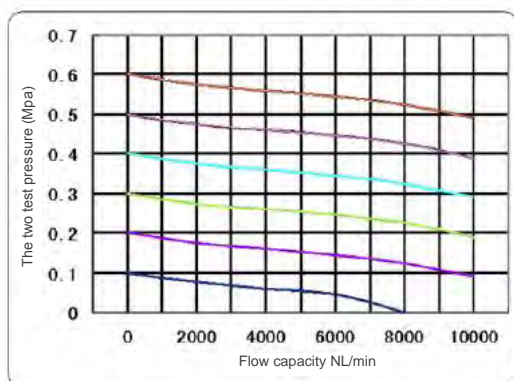


TECHNIQUE PARAMETER

Model	SW-50B	SW-60B
Portsize	G3/4"	G1"
Ensured pressure resistance	1.5Mpa(15kgf/cm ²)	1.5Mpa(15kgf/cm ²)
Maximum supply pressure	1.0Mpa(10kgf/cm ²)	1.0Mpa(10kgf/cm ²)
Temperature ranges	-20℃ ~85℃	-20℃ ~85℃
Filter precision	5 μ m	5 μ m
Material	Aluminum alloy	Aluminum alloy
Flow capacity	7900L/min	8100L/min
Output pressure ranges	0.05Mpa~0.8Mpa(0.5~8kgf/ cm ²)	0.05Mpa~0.8Mpa(0.5~8kgf/ cm ²)
Valve type	With overflow	With overflow

FLOW CHARACTERISTIC CURVE

The inlet pressure: 0.7Mpa





■ HEADQUARTERS

NO. 6-1, QINGNIAN RD., YANGMEI CITY, TAOYUAN COUNTY 326, TAIWAN

TEL +886-3-4965066 FAX +886-3-4963526 E-MAIL: sales@jdv.com.tw



Copyright 2014/11. All rights are reserved by JDV.
The technical date and content may be changed without prior notice.