

**Forged  
3-Piece Ball Valves  
Series 115SV**

**MADE**  
  
**SWISS**




**Forged 3-piece heavy duty design ball valve with anti-static device and ISO mounting pad for easy automation. Full bore and reduced bore version. Various seat materials and a wide range of accessoires. MADE IN SWITZERLAND.**



(Forged body)

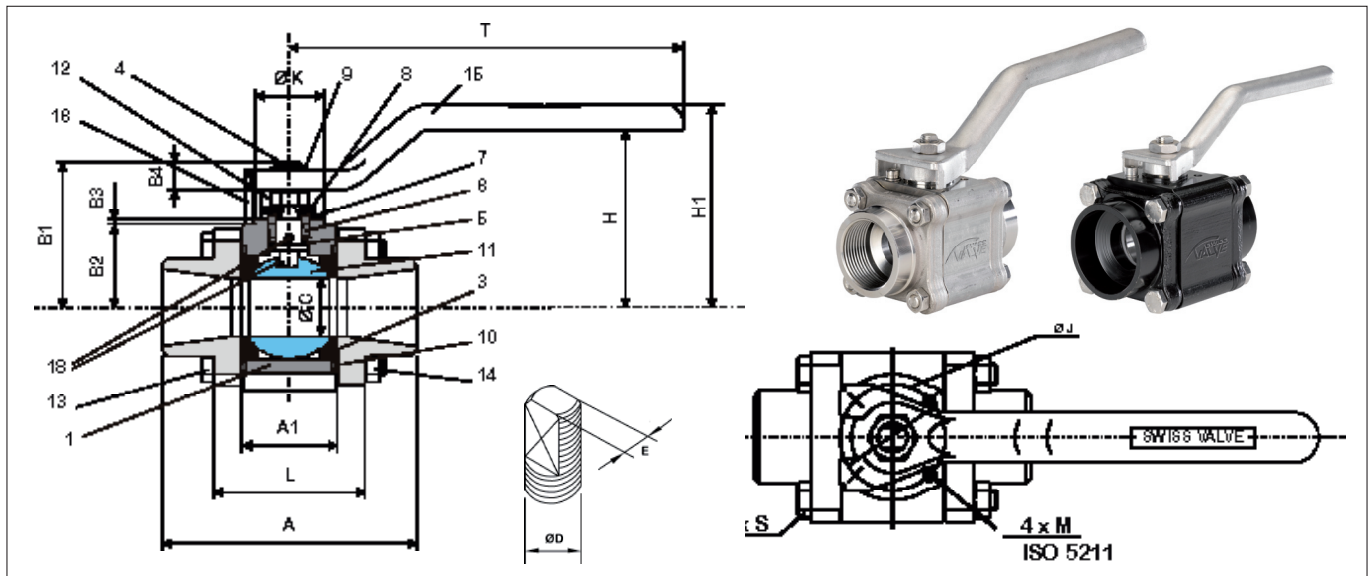
**Certification**

- Firesafe BS 6755/2-API 607
- PED 97/23/EG – CE 0036
- ATEX  II 2GD cII/B/IIc
- US FDA 21cFR

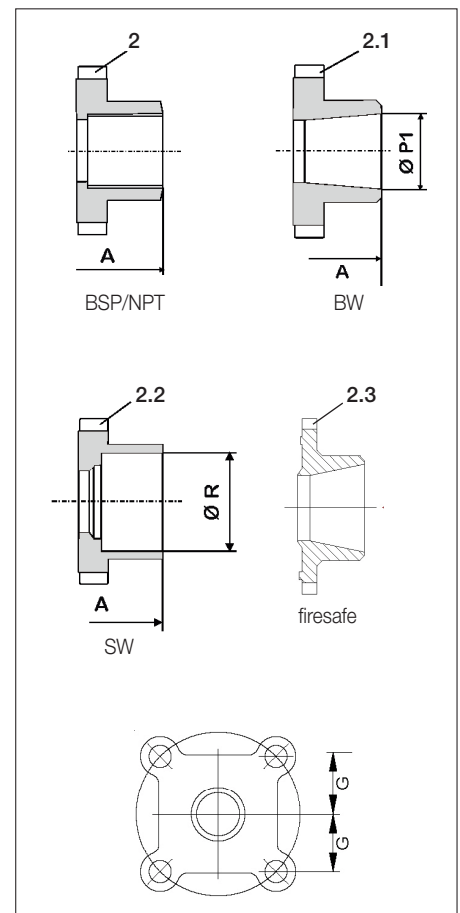
**Highlights**

- DN 8 - DN 40 full port
- DN 15 - DN 50 reduced port
- PN 180 bar - 2600 psi
- Temperature max. 310°C
- Encapsulated body bolts
- Forged material, stainless steel 1.4404, carbon steel A105N
- ISO 5211 mounting pad for easy automation
- Solid ball
- Various seat materials
- Wide range of accessoires
- Swiss made

## Series 115SV antistatic, full bore, DN08 (1/4") - DN 40 (1 1/2")



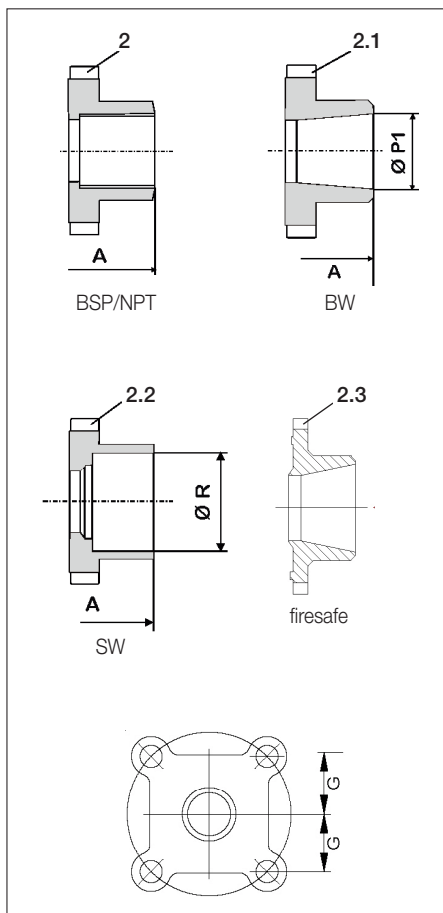
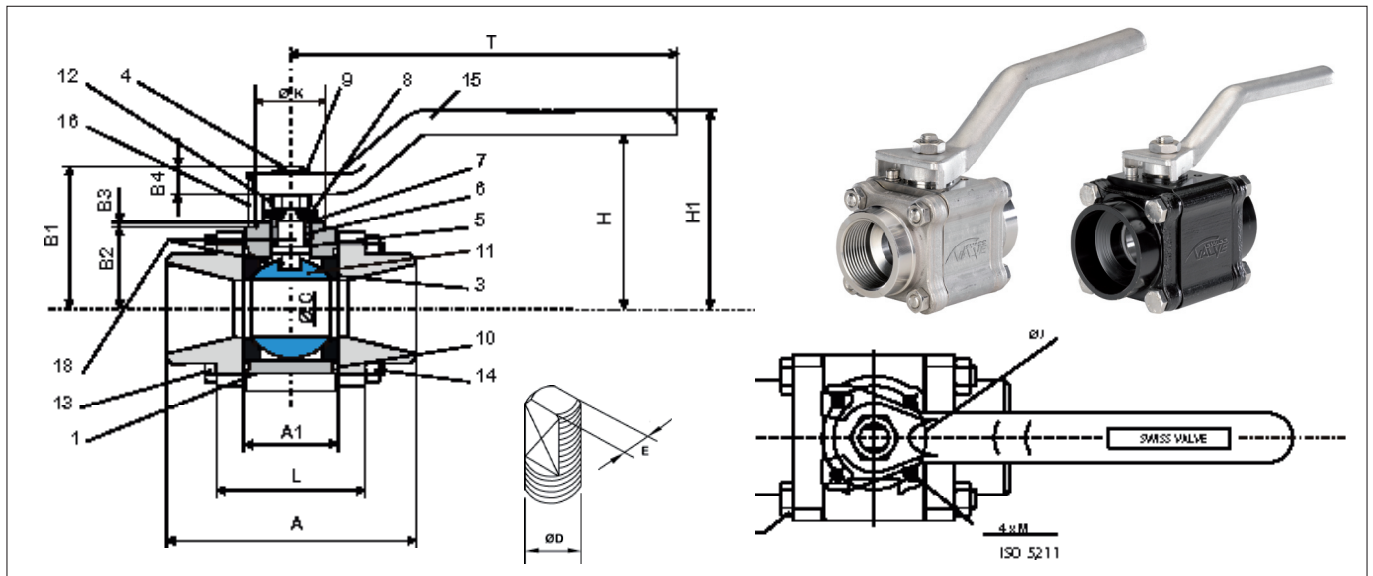
Pos	description	Stainless steel	Carbon steel
1	Body	1.4404	1.0432N
2	Screwed end	1.4404*	1.0432N
2.1	Butt weld end	1.4404*	1.0432N
2.2	Socket weld end	1.4404*	1.0432N
2.3	Firesafe weld end	1.4404*	1.0432N
3	Seat	R/C-PTFE	R/C-PTFE
4	Stem	1.4435	1.4435
5	Stem seal	C-PTFE	C-PTFE
6	Stem packing	C-PTFE	C-PTFE
7	Stem seal follower	1.4305	1.4305
8	Belleville washer	1.4310	1.4310
9	Hex nut	1.4305	1.4305
10	Body seal	R-PTFE	R-PTFE
11	Ball	1.4401	1.4401
12	Stem nut	1.4305	1.4305
13	Body bolt	A2-70	A2-70
14	Body nut	A2	A2
15	Handle	1.4408	1.4408
16	Stop screw	A2-70	A2-70
18	Anti static device		
*	DN8FB+DN15FB	1.4408	A216 WCB



DN	8 - 1/4"	10 - 3/8"	15 - 1/2"	20 - 3/4"	25 - 1"	32 - 1 1/4"	40 - 1 1/2"
A	66	66	76	90	105	115	130
A1	20.6	20.6	24.6	31.7	41.3	48.4	56.3
B1	36	36	42	56	60	71	76
B2	27	27	32	38	35	41	46
B3	1	1	1	1	2	2	2
B4	9	9	12	14	14	16	16
ØC	11	11	14	21	25	32	38
ØD-UNF	3/8"	3/8"	3/8"	7/16"	7/16"	9/16"	9/16"
E	5.5	5.5	5.5	7.5	7.5	9	9
G	16	16	19	22	25	29	33
H	51	51	54	71	70	86	91
H1	62	62	65	82	81	106	106
ISO 5211	F04	F04	F04	F04	F04	F05	F05
ØJ	42	42	42	42	42	50	50
ØK	30	30	30	30	30	35	35
L	40	40	46	57	67	76	86
M	M5	M5	M5	M5	M5	M6	M6
ØP1	9.2	12.5	15.8	21	26.6	35.1	41
ØR	14	18	22	27.5	34.5	43	49
S	M6 x 47	M6 x 47	M6 x 55	M8 x 65	M8 x 75	M10 x 90	M10 x 100
T	150	150	150	175	175	200	200
weight kg	0.6	0.6	0.8	1.5	2.2	3	4

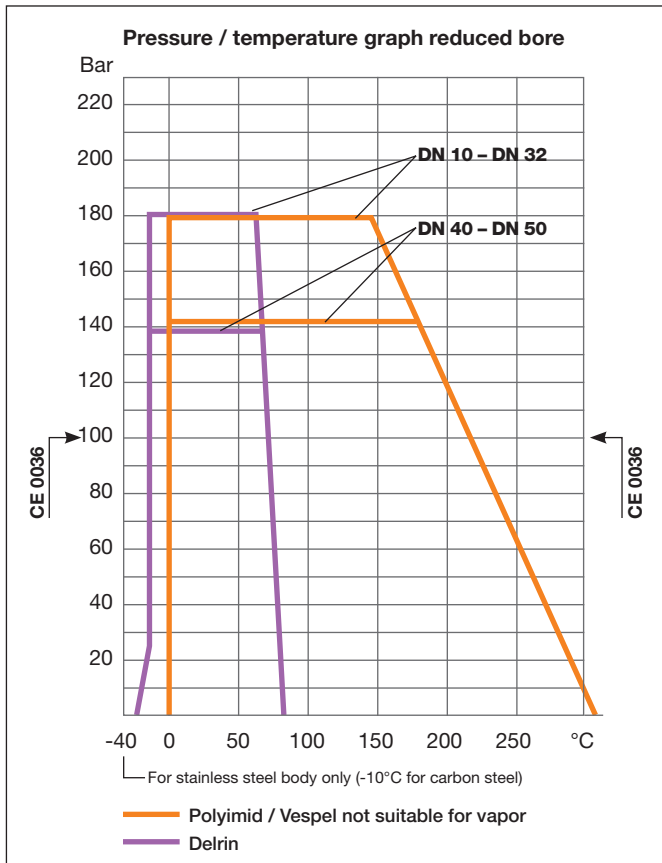
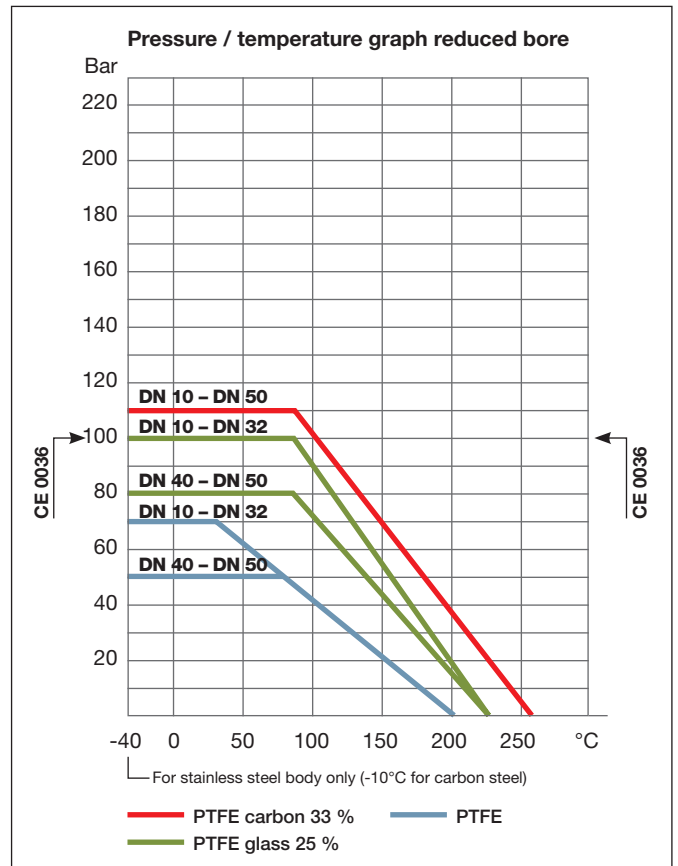
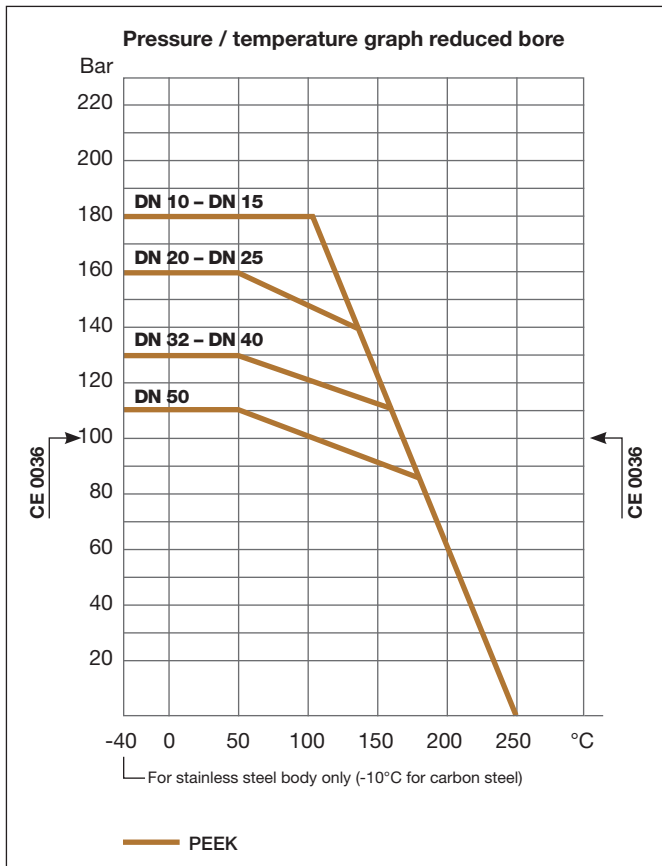


## Series 115SV antistatic, reduced bore, DN15 (1/2") - DN 50 (2")



Pos	description	Stainless steel	Carbon steel
1	Body	1.4404	1.0432N
2	Screwed end	1.4404*	1.0432N
2.1	Butt weld end	1.4404*	1.0432N
2.2	Socket weld end	1.4404*	1.0432N
2.3	Firesafe weld end	1.4404*	1.0432N
3	Seat	R/C-PTFE	R/C-PTFE
4	Stem	1.4435	1.4435
5	Stem seal	C-PTFE	C-PTFE
6	Stem packing	C-PTFE	C-PTFE
7	Stem seal follower	1.4305	1.4305
8	Belleville washer	1.4310	1.4310
9	Hex nut	1.4305	1.4305
10	Body seal	R-PTFE	R-PTFE
11	Ball	1.4401	1.4401
12	Stem nut	1.4305	1.4305
13	Body bolt	A2-70	A2-70
14	Body nut	A2	A2
15	Handle	1.4408	1.4408
16	Stop screw	A2-70	A2-70
18	Anti static device		
*	DN8FB+DN15FB	1.4408	A216 WCB

DN	15 - 1/2"	20 - 3/4"	25 - 1"	32 - 1 1/4"	40 - 1 1/2"	50 - 2"
A	66	76	90	105	115	130
A1	20.6	24.6	31.7	41.3	48.4	56.3
B1	36	42	56	60	71	76
B2	27	32	38	35	41	46
B3	1	1	1	2	2	2
B4	9	12	14	14	16	16
ØC	11	14	21	25	32	38
ØD-UNF	3/8"	3/8"	7/16"	7/16"	9/16"	9/16"
E	5.5	5.5	7.5	7.5	9	9
G	16	19	22	25	29	33
H	51	54	71	70	86	91
H1	62	65	82	81	101	106
ISO 5211	F04	F04	F04	F04	F05	F05
ØJ	42	42	42	42	50	50
ØK	30	30	30	30	35	35
L	40	46	57	67	76	86
M	M5	M5	M5	M5	M6	M6
ØP1	15.8	21	26.6	35.1	41	52.5
ØR	22	27.5	34.5	43	49	61.5
S	M6 x 47	M6 x 55	M8 x 65	M8 x 75	M10 x 90	M10 x 100
T	150	150	175	175	200	200
weight kg	0.6	0.8	1.5	2.2	3	4



DN		Break away torques (Nm) for lubricating media including 10 % safety
Reduced bore	Full bore	
15	10/8	8 Nm
20	15	8 Nm
25	20	10 Nm
32	25	15 Nm
40	32	28 Nm
50	40	32 Nm