



JDV
CONTROL
VALVES



JBF Series JBF-E/JBF-ELK



TAIWAN
EXCELLENCE
2024

Just Deliver Value

JBF-E / JBF-ELK BALL VALVE (1/4"~12")

Industrial fields :

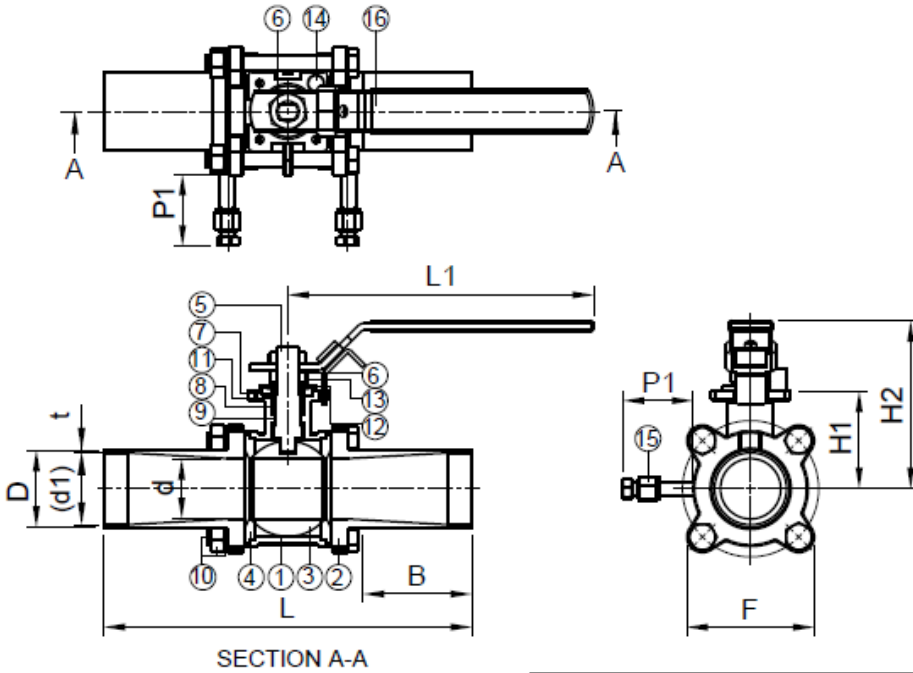
- Semiconductor
- Clean For Oxygen Service
- Food
- Chemical
- Inert Bulk Gas Distribution
- CDA / OFA Systems
- Utility Nitrogen Systems
- Bulk Chemical Delivery
- Process Vacuum Exhaust
- Point-of-Use Isolation



Application standards/tests

- Valve body material: 304, 316, 316L, can be customized according to project requirements.
- Size: 1/4" to 14" (15A to 350A)
- Pressure rating: ASME CLASS 150; JIS 10K
- Connection type: 5S automatic butt welding, 10S manual butt welding.
- Temperature range: -20~302°F (-29~150°C)
- Cleanliness level: oil-free treatment/clean room assembly.
- Operation mode: handle lever and gear box.
- Purge port method: OPP, IOPP Purge Port, can be customized according to project requirements.
- Casting standard: MSS-SP-25 / MSS-SP-55
- Leak test: 100% Helium Leak test.
- Helium leak test leak rate: 1X10⁻⁶ atm.cc/sec
- Level: AP / BA level, average roughness $\leq 0.64\mu\text{m}$, can be customized according to project requirements.

JBF-E - 3 PIECE BALL VALVES SIZE 1/2" to 2" (DN15-DN50)

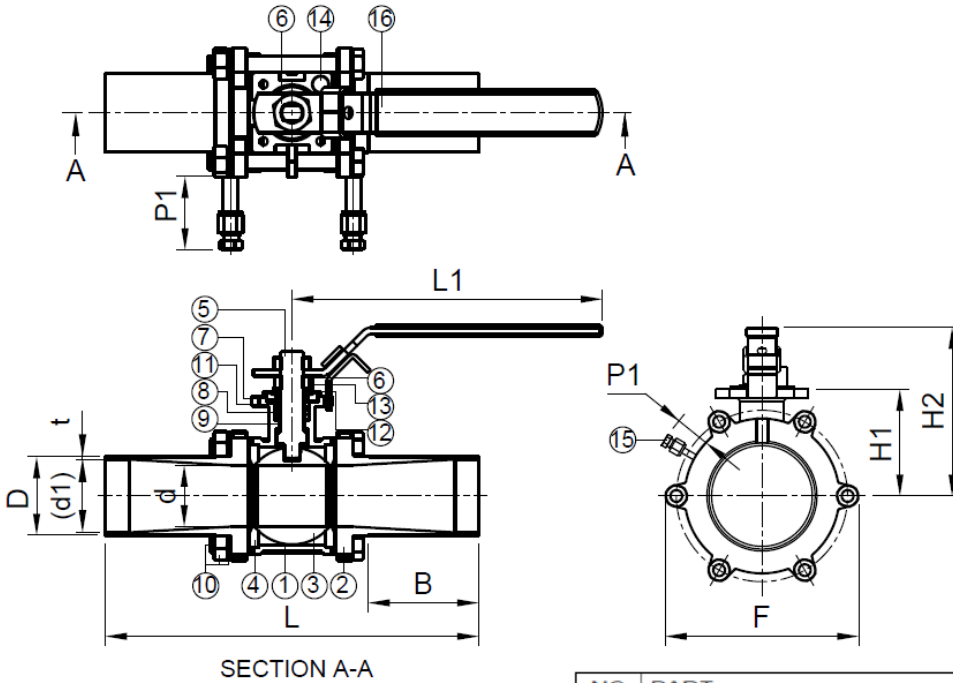


NO	PART	QTY	MATERIAL
1	BODY	1	316 / CF8M
2	END CAP	2	316L / CF3M
3	BALL	1	316SS
4	SEAT	2	PTFE
5	STEM	1	A276-316
6	GLAND NUT	2	304SS
7	GLAND BEARING	1	304SS
8	GLAND PACKING	1	PTFE
9	STEM WASHER	1	PTFE
10	BOLT & NUT & WASHER	1 SET	304SS
11	BEARING	1	50%Stainless Filled PTFE
12	SPRING	2	301SS
13	WASHER	1	304SS
14	POSITIONING PIN	1	304SS
15★	PURGE PORT SET (1/4")	SET	316SS W / 316L TUBE
16	HANDLE SET	1 SET	304SS

Note : ★ Option (OPP=PURGE PORT SET *1 , IOPP=PURGE PORT SET *2)

SIZE		d	JIS 5S			ASTM 5S			Tube		L	W	F	B	P1	H1	H2	L1
DN	NPS		d1	D	t	d1	D	t	D	t								
15	1/2"	15	18.4	21.7	1.65	18.04	21.34	1.65	12.70	1.24	150.7	20.0	59.5	45.5	38.0	34.5	81.0	144.0
20	3/4"	20	23.9	27.2	1.65	23.37	26.67	1.65	19.05	1.24	155.7	20.0	66.5	45.5	38.0	37.0	83.5	144.0
25	1"	25	30.7	34.0	1.65	30.10	33.40	1.65	25.40	1.24	186.2	20.0	74.6	58.5	38.0	43.5	89.0	174.0
32	1-1/4"	32	39.4	42.7	1.65	38.86	42.16	1.65	31.75	1.65	195.6	20.0	86.1	58.5	38.0	49.0	94.5	174.0
40	1-1/2"	38	45.3	48.6	1.65	44.96	48.26	1.65	38.10	1.65	231.6	20.0	103.8	68.5	38.0	60.1	116.0	196.0
50	2"	50	57.2	60.5	1.65	57.03	60.33	1.65	50.80	1.65	243.4	20.0	120.3	68.5	38.0	65.3	121.2	196.0

JBF-E - 3 PIECE BALL VALVES SIZE 2-1/2" to 4" (DN65-DN100)



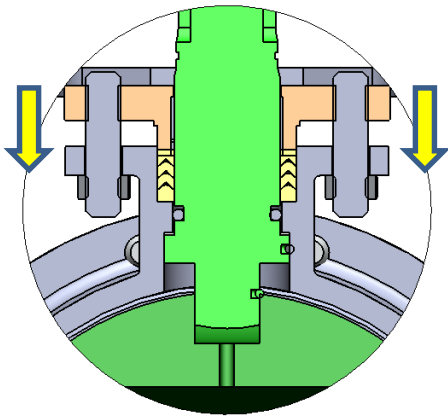
NO	PART	QTY	MATERIAL
1	BODY	1	316 / CF8M
2	END CAP	2	316L / CF3M
3	BALL	1	316SS
4	SEAT	2	PTFE
5	STEM	1	A276-316
6	GLAND NUT	2	304SS
7	GLAND BEARING	1	304SS
8	GLAND PACKING	1	PTFE
9	STEM WASHER	1	PTFE
10	BOLT & NUT & WASHER	1 SET	304SS
11	BEARING	1	50%Stainless Filled PTFE
12	SPRING	2	301SS
13	WASHER	1	304SS
14	POSITIONING PIN	1	304SS
15★	PURGE PORT SET (1/4")	SET	316SS W / 316L TUBE
16	HANDLE SET	1 SET	304SS

Note : ★ Option (OPP=PURGE PORT SET *1 , IOPP=PURGE PORT SET *2)

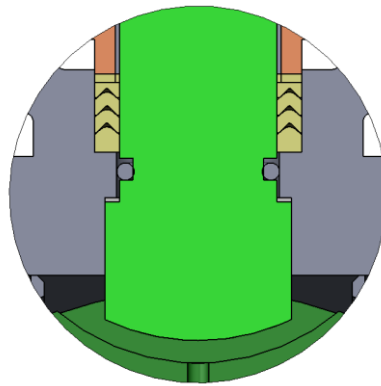
SIZE		d	JIS 5S			ASTM 5S			Tube		L	W	F	B	P1	H1	H2	L1
DN	NPS		d1	D	t	d1	D	t	D	t								
65	2-1/2"	65	72.1	76.3	2.10	68.81	73.03	2.11	63.50	1.65	290.2	20.0	152.3	78.5	38.0	87.5	148.5	303.0
80	3"	80	84.9	89.1	2.10	84.68	88.90	2.11	76.20	1.65	302.2	20.0	177.8	78.5	38.0	96.5	157.5	329.0
100	4"	100	110.1	114.3	2.10	110.08	114.3	2.11	101.6	2.1	326.2	20.0	212.9	78.5	38.0	117.5	185.5	448.0

JBF-E 3 PIECE BALL VALVES SIZE 125A~300A(5"~12")

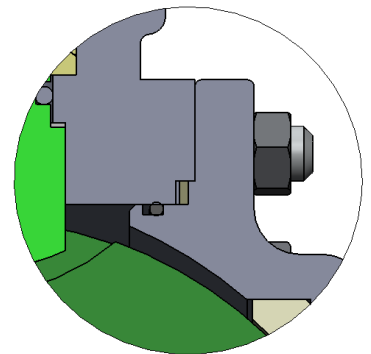
DESIGN:



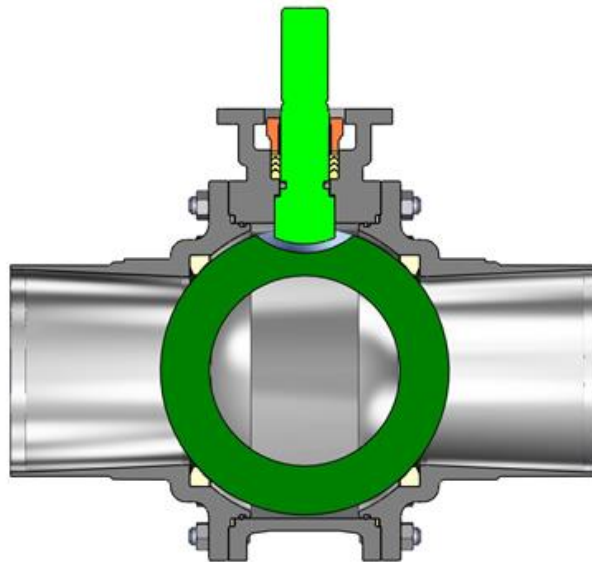
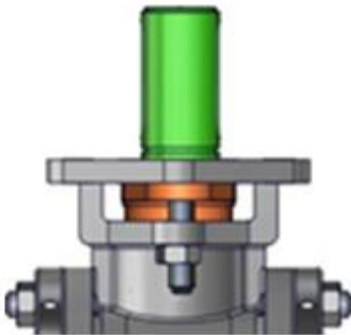
Adjustable Gland Design



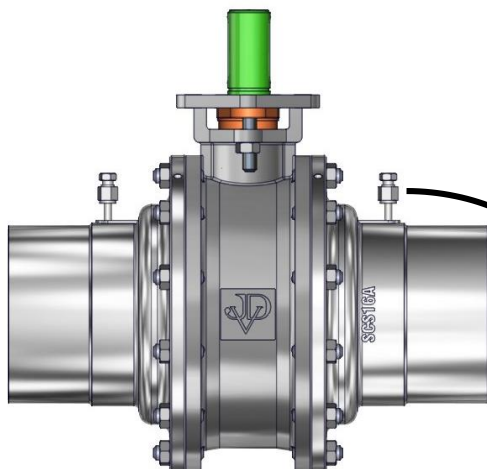
Low-Emission Design



Double-Seal Ring

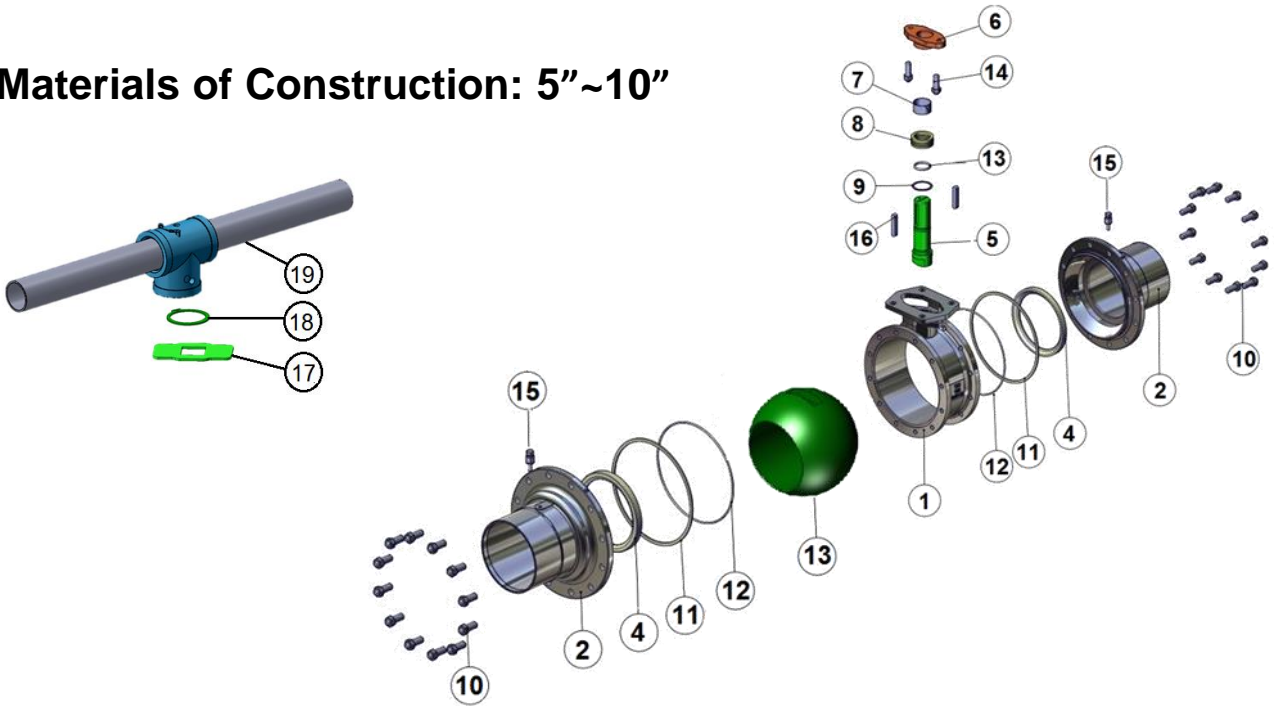


Inner Surface Process



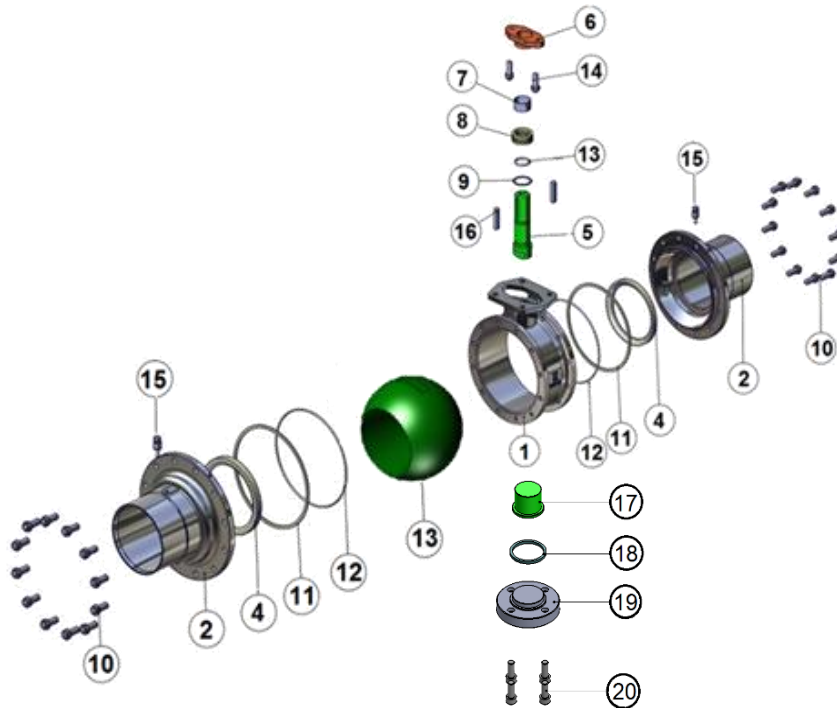
Purge port can be used as option
OPP / IOPP / No Purge Port
SIZE : 1/4" , 1/2"

Materials of Construction: 5"~10"



NO	PART NAME	MATERIAL			
1	BODY	SCS13A	SCS14A	CF8	CF8M
2	END CAP	SCS19A	SCS16A	CF3	CF3M
3	BALL	A351-CF8M			
4	SEAT	RTFE			
5	STEM	A276-316			
6	GLAND	A351-CF8			
7	GLAND BEARING	RTFE			
8	GLAND PACKING	PTFE			
9	STEM WASHER	RTFE			
10	BOLT & NUT	A2-70			
11	BODY SEAL	PTFE			
12	O-RING(BODY)	VITON			
13	O-RING(STEM)	VITON			
14	BOLT & NUT	A2-70			
15	PURGE PORT SET(OPTION)	316SS W/316L TUBE			
16	KEY(GEAR BOX)	S45C			
17	TRAVEL STOP(MO)	A240-304(5")			
18	SNAP RING(MO)	AISI 420(5")			
19	HANDLE SET(MO)	FCD45+SGP(5")			

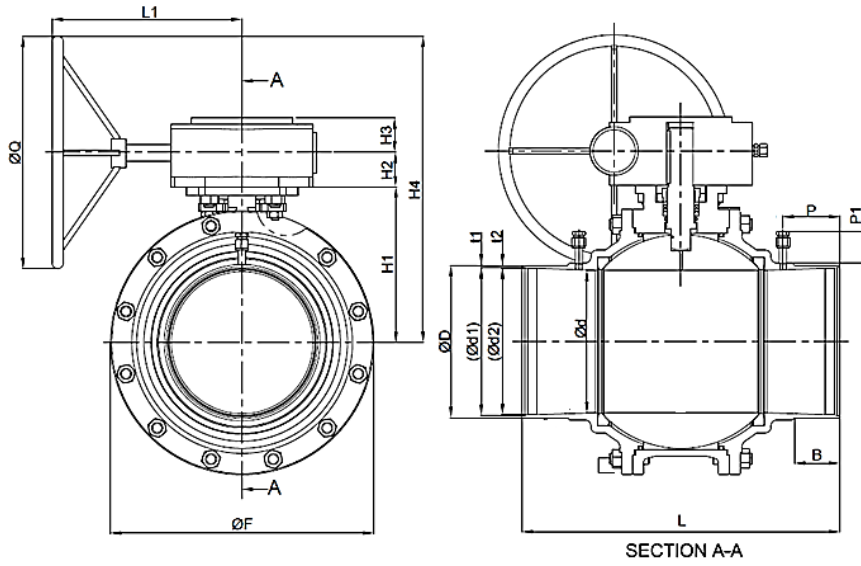
Materials of Construction: 12"



NO	PART NAME	MATERIAL			
1	BODY	SCS13A	SCS14A	CF8	CF8M
2	END CAP	SCS19A	SCS16A	CF3	CF3M
3	BALL	A351-CF8M			
4	SEAT	RTFE			
5	STEM	A276-316			
6	GLAND	A351-CF8			
7	GLAND BEARING	RTFE			
8	GLAND PACKING	PTFE			
9	STEM WASHER	RTFE			
10	BOLT & NUT	A2-70			
11	BODY SEAL	PTFE			
12	O-RING(BODY)	VITON			
13	O-RING(STEM)	VITON			
14	BOLT & NUT	A2-70			
15	PURGE PORT SET(OPTION)	316SS W/316L TUBE			
16	KEY(GEAR BOX)	S45C			
17	SUPPORT STEM	A276-316+HF			
18	SUPPORT STEM GASKET	PTFE			
19	COVER	A276-316			
20	BOLT	A2-70			



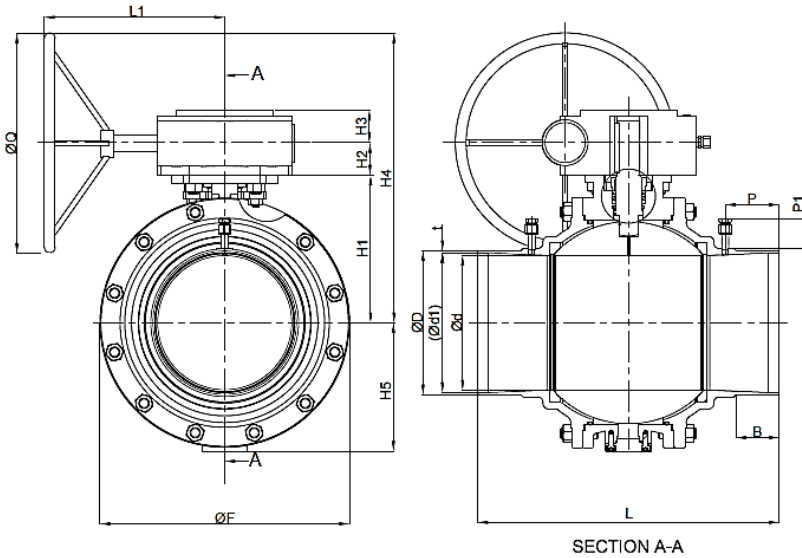
**JDV
CONTROL
VALVES**



Dimensions

(mm)

SIZE	d	d1	d2	D	t1 (5S)	t2 (10S)	L	W 1	W 2	W 3	F	B	P	P1	H1	H2	H3	H4	L1	Q	PURGE PORT	GEAR BOX	
125A	5"	125	134		139.8	2.8	-	386	10	-	-	250	65	80	37	172	44	44	356	188	280	1/4"	JWHD4
150A	6"	150	160	208.3	165.2	2.8	4.0	415	10	-	-	295	65	80	54	191	44	44	375	188	280	1/2"	JWHD4
200A	8"	200	210.7	208.3	216.3	2.8	4.0	521	5	5	10	380	80	100	54	237	44	44	421	188	280	1/2"	JWHD4
250A	10"	250	259.4	-	267.4	-	4.0	559	10	-	-	465	80	100	54	275	62.5	62.5	512.5	254	350	1/2"	JWHD6

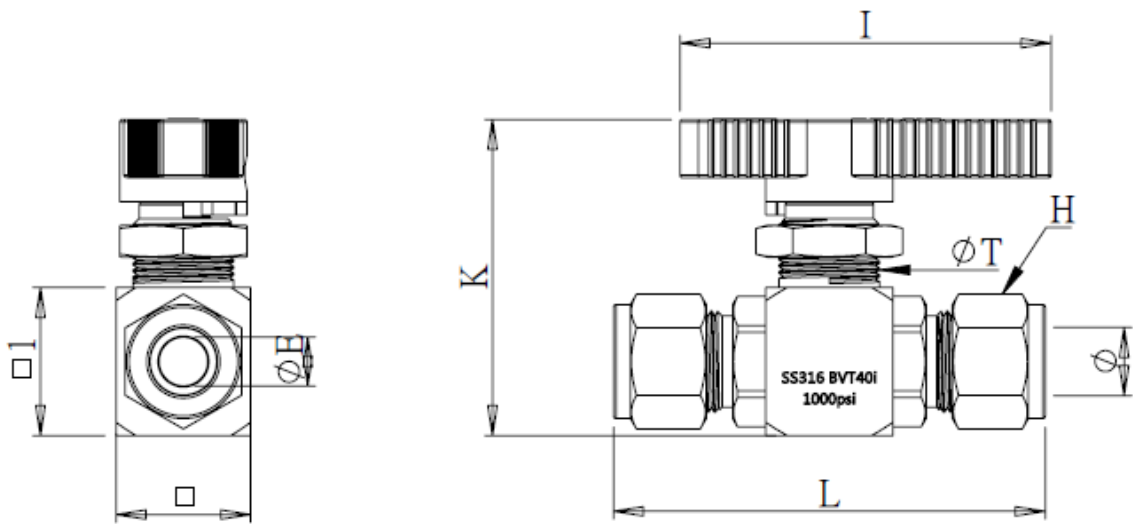


Dimensions

(mm)

SIZE	d	D1	D	t (10S)	L	W1	W2	F	B	P	P1	H1	H2	H3	H4	H5	L1	Q	PURGE PORT	GEAR BOX	
300A	12"	300	309.5	318.5	4.5	635	10	5	560	80	100	54	340	62.5	62.5	577.5	287	254	350	1/2"	JWHD6

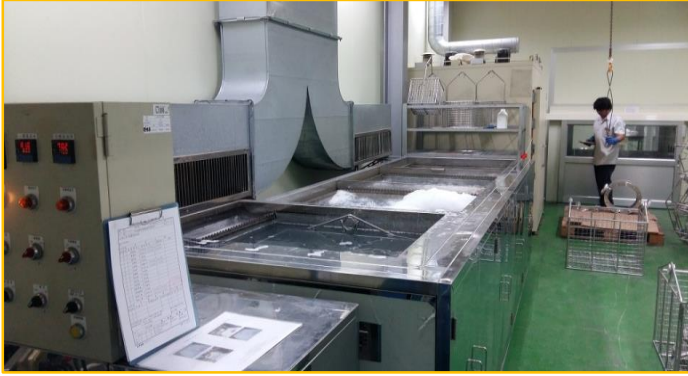
JBF-ELK - 3 PIECE BALL VALVES SIZE 1/4"~3/4"



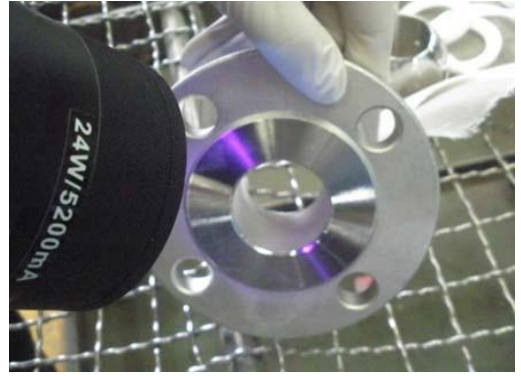
Part No	Tube OD	Panel Hole Size	Dimensions						H六角
	∅	∅T	∅E	I	K	L	□	□l	
BVT20i	1/4"	16.3	4.8	53	53.5	69	22	22	14
BVT30i	3/8"	16.3	7	53	53.5	71	22	22	17
BVT40i	1/2"	19.5	9.2	71	60	81.5	26	28	22
BVT60i	3/4"	19.5	12.6	71	65.5	86.6	32	34	28.57

High-precision cleaning process / vacuum packaging clean room

Ultrasonic Cleaning



UV Lamp Inspection



Clean Room ,Class 10,000



VOC TEST ISO 15848-2

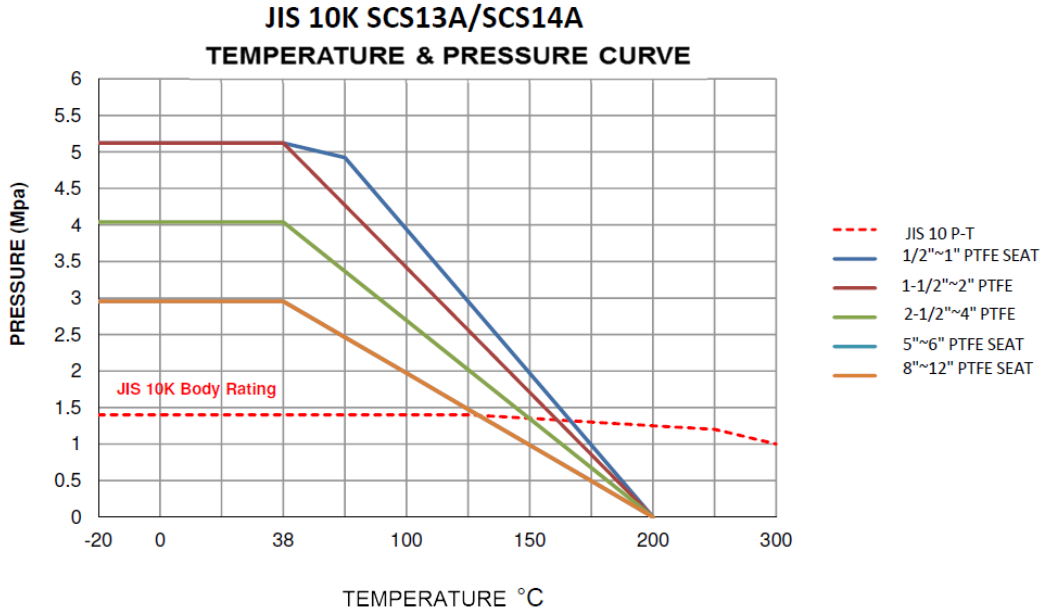


Performance

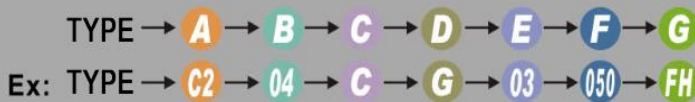


Cv VALUES

Size	DN15	DN20	DN25	DN40	DN50	DN65	DN80	DN100	DN125	DN150	DN200	DN250	DN300
	1/2"	3/4"	1"	1-1/2"	2"	2-1/2"	3"	4"	5"	6"	8"	10"	12"
Cv	27	61	114	268	501	750	1158	2118	3812	5074	9337	14590	21802



HOW TO ORDER



A. SPECIFICATION	B. BODY MAT'L	C. BALL MAT'L	D. SEAT MAT'L	E. STEM MAT'L	F. SIZE
A1 JIS 10K	02 WCB (1.0419)	A CF8 (1.4308)	P PTFE	02 304 (1.4301)	015 1/2"
A2 JIS 20K	03 CF8 (1.4308)	C CF8M (1.4408)	G G-PTFE (15% GLASS FIBER+PTFE)	03 316 (1.4401)	020 3/4"
C1 ASME CLASS 150	04 CF8M (1.4408)	D CF3 (1.4306)	C C-PTFE (15% CARBON+PTFE)	05 317 (1.4449)	025 1"
C2 ASME CLASS 300	05 CF3 (1.4306)	E CF3M (1.4409)	S S-PTFE (50% 316+PTFE)	07 304L (1.4306)	040 1-1/2"
C3 ASME CLASS 600	06 CF3M (1.4409)	F CG8M (1.4412)	T TFM-1600	08 316L (1.4404)	050 2"
D2 DIN PN16	07 CG8M (1.4412)	I CD3MN (1.4470)	E PEEK	10 S31803 (1.4462)	065 2-1/2"
D4 DIN PN40	11 LCB (1.1138)				080 3"
D5 DIN PN100	12 LCC (1.7219)				100 4"
	15 CD3MN (1.4470)				125 5"
				G. OPTION	150 6"
				F FIRE SAFE	200 8"
				L EXTENDED STEM	250 10"
				I LIVE LOADING	300 12"
				H LEVER	
				A BARE SHAFT	

HOW TO ORDER

※ Alternative materials are available on request.



■ HEADQUARTERS

NO. 6-1, QINGNIAN RD., YANGMEI DIST., TAOYUAN CITY 326, TAIWAN
TEL +886-3-4965066 FAX +886-3-4963526 E-MAIL: sales@jdv.com.tw



TGT



JDVUSA



Copyright 2023/10. All rights are reserved by JDV.
The technical data and content may be changed without prior notice.



JDV
CONTROL
VALVES



JBF Series JBF-E/JBF-ELK



TAIWAN
EXCELLENCE
2024

Just Deliver Value

JBF-E / JBF-ELK BALL VALVE (1/4"~12")

產業應用:

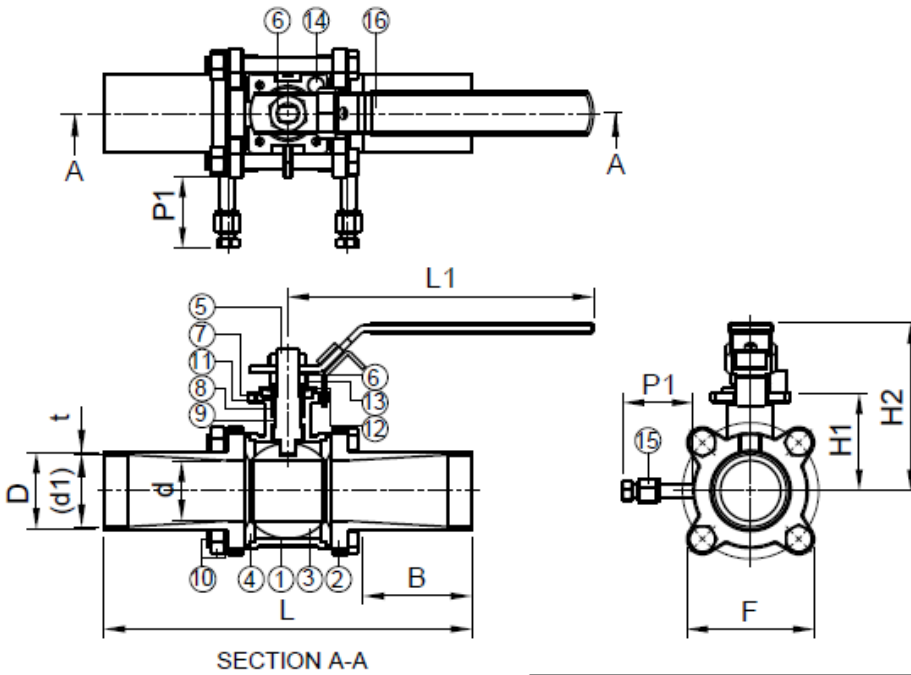
- 半導體
- 清潔氧氣服務
- 食品
- 化工
- 惰性或大宗氣體
- **CDA / GN2系統**
- 實用氮氣系統
- 大宗化學運輸系統
- 製程真空排氣系統
- 使用點隔離系統



APPLICABLE 應用標準/測試

- 閥體材質：**304、316、316L**，可依專案客制需求
- 尺寸：**1/4"至14" (15A至350A)**
- 壓力等級：**ASME CLASS 150 ; JIS 10K**
- 連接型式：**5S自動對焊，10S手動對焊**
- 溫度範圍：**-20~302°F (-29~150°C)**
- 潔淨等級：**禁油處理/無塵室組裝**
- 操作方式：**手柄手杆和齒輪箱**
- 吹掃口位置：**OPP，IOPP Purge Port**，可依專案客制需求
- 鑄造標準：**MSS-SP-25 / MSS-SP-55**
- 洩漏測試：**100% Helium Leak test**
- 氮測漏洩漏率：**1X10-6 atm.cc/sec**
- 等級：**AP / BA級**，平均粗糙度 $\leq 0.6\mu\text{m}$ ，可依項目客制需求

JBF-E - 3 PIECE BALL VALVES SIZE 1/2" to 2" (DN15-DN50)

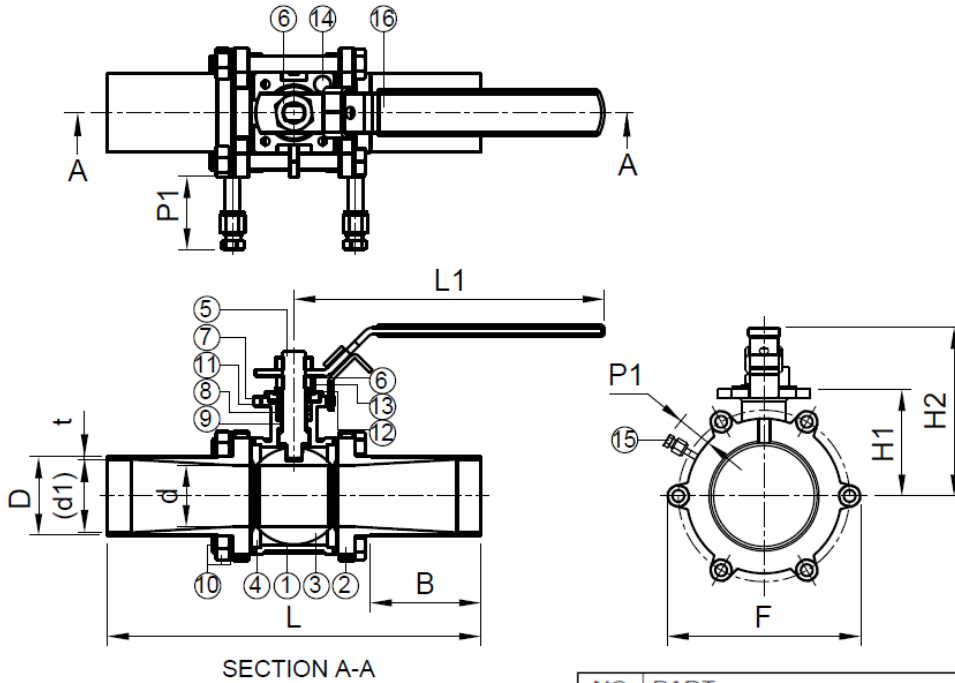


NO	PART	QTY	MATERIAL
1	BODY	1	316 / CF8M
2	END CAP	2	316L / CF3M
3	BALL	1	316SS
4	SEAT	2	PTFE
5	STEM	1	A276-316
6	GLAND NUT	2	304SS
7	GLAND BEARING	1	304SS
8	GLAND PACKING	1	PTFE
9	STEM WASHER	1	PTFE
10	BOLT & NUT & WASHER	1 SET	304SS
11	BEARING	1	50%Stainless Filled PTFE
12	SPRING	2	301SS
13	WASHER	1	304SS
14	POSITIONING PIN	1	304SS
15★	PURGE PORT SET (1/4")	SET	316SS W/ 316L TUBE
16	HANDLE SET	1 SET	304SS

Note : ★ Option (OPP=PURGE PORT SET *1 , IOPP=PURGE PORT SET *2)

SIZE		d	JIS 5S			ASTM 5S			Tube		L	W	F	B	P1	H1	H2	L1
DN	NPS		d1	D	t	d1	D	t	D	t								
15	1/2"	15	18.4	21.7	1.65	18.04	21.34	1.65	12.70	1.24	150.7	20.0	59.5	45.5	38.0	34.5	81.0	144.0
20	3/4"	20	23.9	27.2	1.65	23.37	26.67	1.65	19.05	1.24	155.7	20.0	66.5	45.5	38.0	37.0	83.5	144.0
25	1"	25	30.7	34.0	1.65	30.10	33.40	1.65	25.40	1.24	186.2	20.0	74.6	58.5	38.0	43.5	89.0	174.0
32	1-1/4"	32	39.4	42.7	1.65	38.86	42.16	1.65	31.75	1.65	195.6	20.0	86.1	58.5	38.0	49.0	94.5	174.0
40	1-1/2"	38	45.3	48.6	1.65	44.96	48.26	1.65	38.10	1.65	231.6	20.0	103.8	68.5	38.0	60.1	116.0	196.0
50	2"	50	57.2	60.5	1.65	57.03	60.33	1.65	50.80	1.65	243.4	20.0	120.3	68.5	38.0	65.3	121.2	196.0

**JBF-E - 3 PIECE BALL VALVES
SIZE 2-1/2" to 4" (DN65-DN100)**



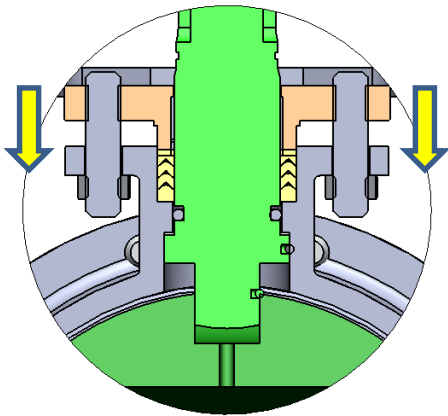
NO	PART	QTY	MATERIAL
1	BODY	1	316 / CF8M
2	END CAP	2	316L / CF3M
3	BALL	1	316SS
4	SEAT	2	PTFE
5	STEM	1	A276-316
6	GLAND NUT	2	304SS
7	GLAND BEARING	1	304SS
8	GLAND PACKING	1	PTFE
9	STEM WASHER	1	PTFE
10	BOLT & NUT & WASHER	1 SET	304SS
11	BEARING	1	50%Stainless Filled PTFE
12	SPRING	2	301SS
13	WASHER	1	304SS
14	POSITIONING PIN	1	304SS
15★	PURGE PORT SET (1/4")	SET	316SS W / 316L TUBE
16	HANDLE SET	1 SET	304SS

Note : ★ Option (OPP=PURGE PORT SET *1 , IOPP=PURGE PORT SET *2)

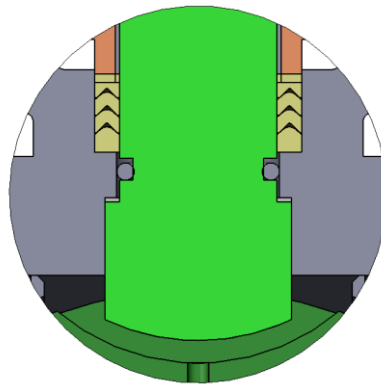
SIZE		d	JIS 5S			ASTM 5S			Tube		L	W	F	B	P1	H1	H2	L1
DN	NPS		d1	D	t	d1	D	t	D	t								
65	2-1/2"	65	72.1	76.3	2.10	68.81	73.03	2.11	63.50	1.65	290.2	20.0	152.3	78.5	38.0	87.5	148.5	303.0
80	3"	80	84.9	89.1	2.10	84.68	88.90	2.11	76.20	1.65	302.2	20.0	177.8	78.5	38.0	96.5	157.5	329.0
100	4"	100	110.1	114.3	2.10	110.08	114.3	2.11	101.6	2.1	326.2	20.0	212.9	78.5	38.0	117.5	185.5	448.0

JBF-E 3 PIECE BALL VALVES SIZE 125A~300A(5"~12")

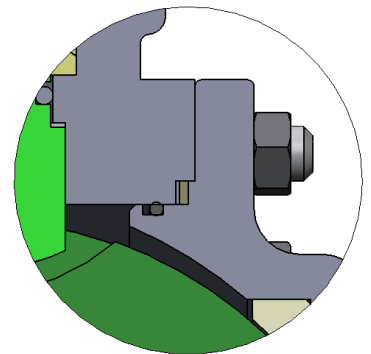
DESIGN:



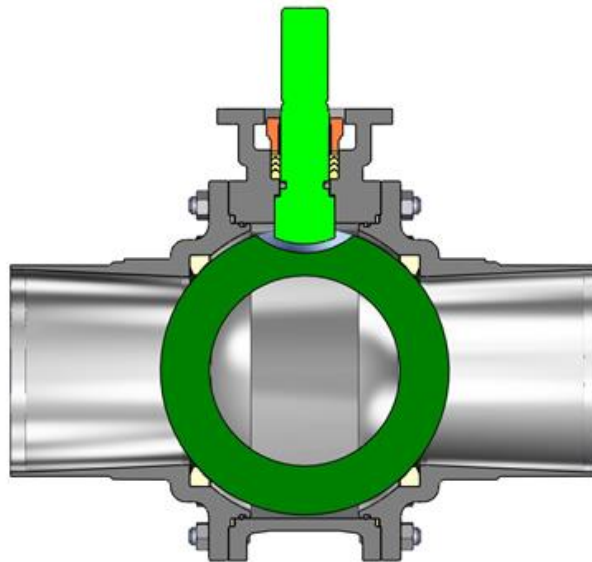
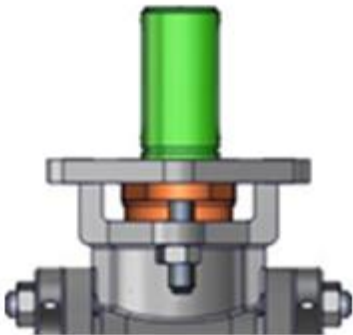
Adjustable Gland Design



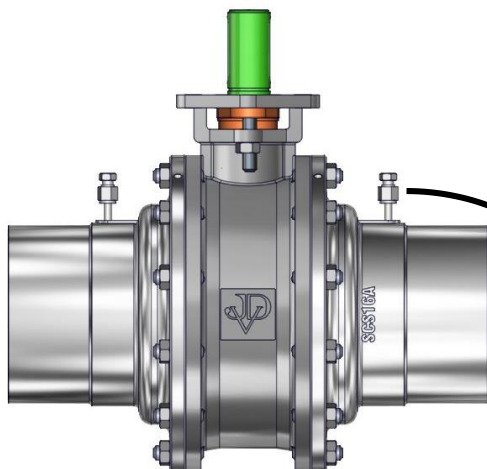
Low-Emission Design



Double-Seal Ring

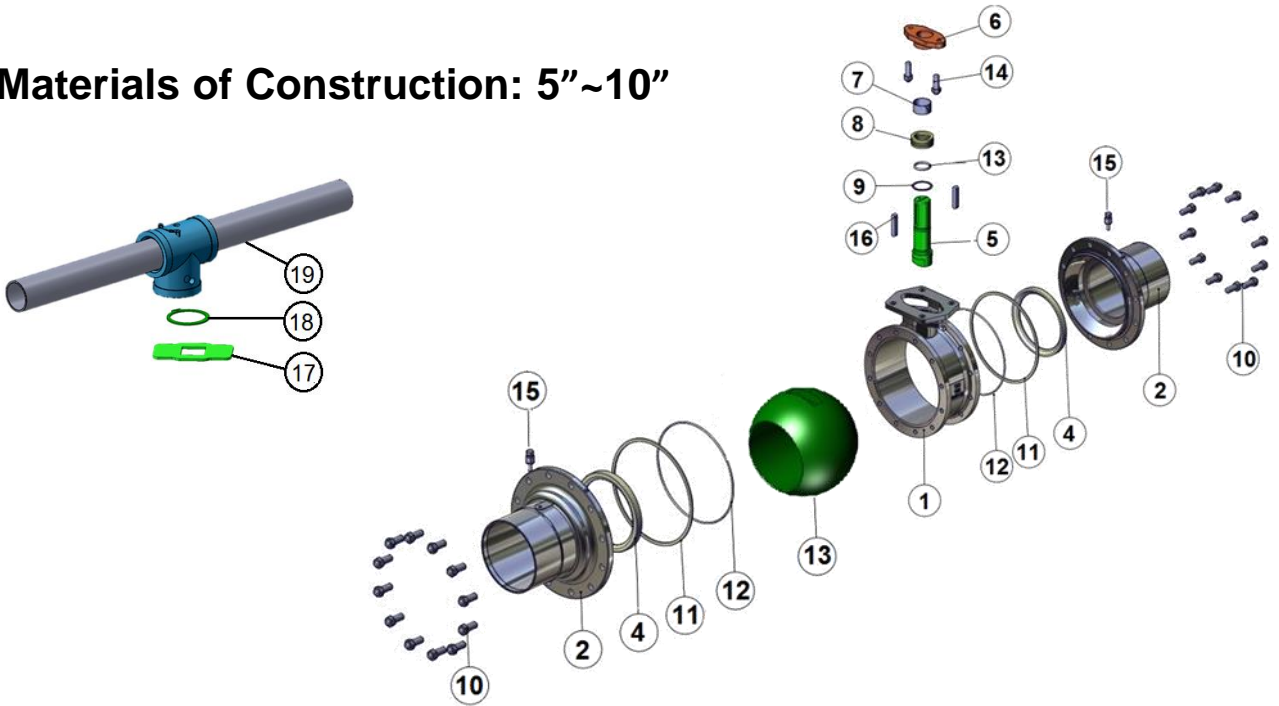


Inner Surface Process



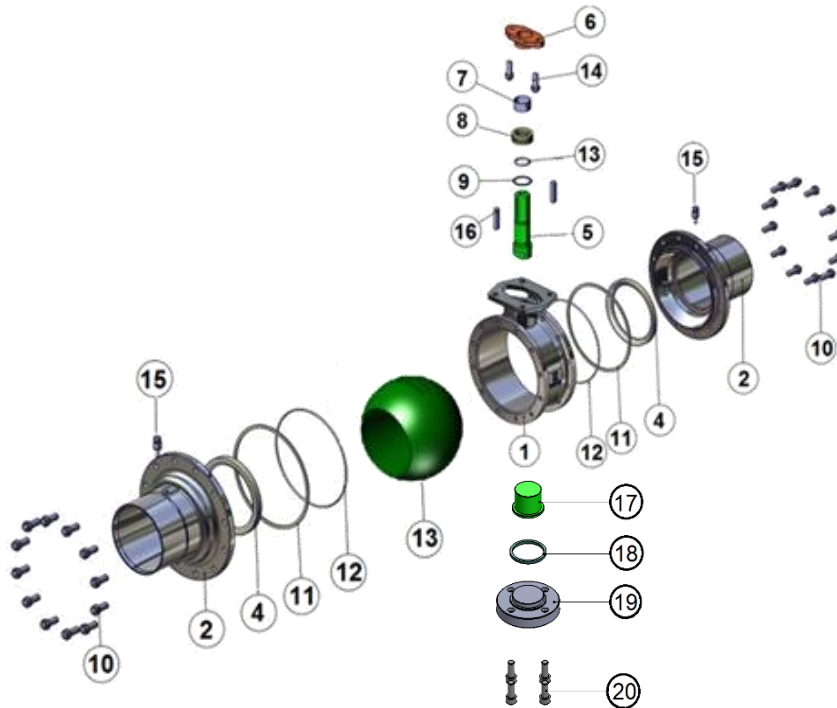
Purge port can be used as option
OPP / IOPP / No Purge Port
SIZE : 1/4" , 1/2"

Materials of Construction: 5"~10"



NO	PART NAME	MATERIAL			
1	BODY	SCS13A	SCS14A	CF8	CF8M
2	END CAP	SCS19A	SCS16A	CF3	CF3M
3	BALL	A351-CF8M			
4	SEAT	RTFE			
5	STEM	A276-316			
6	GLAND	A351-CF8			
7	GLAND BEARING	RTFE			
8	GLAND PACKING	PTFE			
9	STEM WASHER	RTFE			
10	BOLT & NUT	A2-70			
11	BODY SEAL	PTFE			
12	O-RING(BODY)	VITON			
13	O-RING(STEM)	VITON			
14	BOLT & NUT	A2-70			
15	PURGE PORT SET(OPTION)	316SS W/316L TUBE			
16	KEY(GEAR BOX)	S45C			
17	TRAVEL STOP(MO)	A240-304(5")			
18	SNAP RING(MO)	AISI 420(5")			
19	HANDLE SET(MO)	FCD45+SGP(5")			

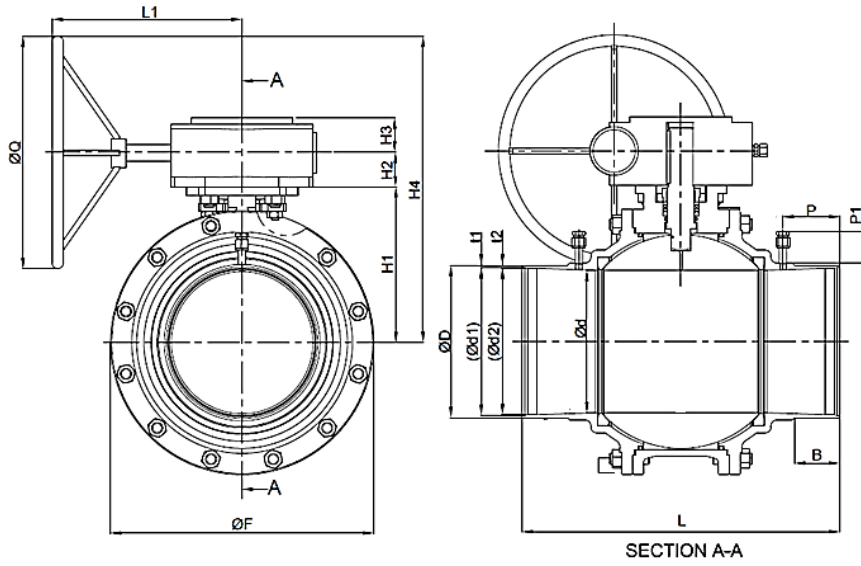
Materials of Construction: 12"



NO	PART NAME	MATERIAL			
1	BODY	SCS13A	SCS14A	CF8	CF8M
2	END CAP	SCS19A	SCS16A	CF3	CF3M
3	BALL	A351-CF8M			
4	SEAT	RTFE			
5	STEM	A276-316			
6	GLAND	A351-CF8			
7	GLAND BEARING	RTFE			
8	GLAND PACKING	PTFE			
9	STEM WASHER	RTFE			
10	BOLT & NUT	A2-70			
11	BODY SEAL	PTFE			
12	O-RING(BODY)	VITON			
13	O-RING(STEM)	VITON			
14	BOLT & NUT	A2-70			
15	PURGE PORT SET(OPTION)	316SS W/316L TUBE			
16	KEY(GEAR BOX)	S45C			
17	SUPPORT STEM	A276-316+HF			
18	SUPPORT STEM GASKET	PTFE			
19	COVER	A276-316			
20	BOLT	A2-70			



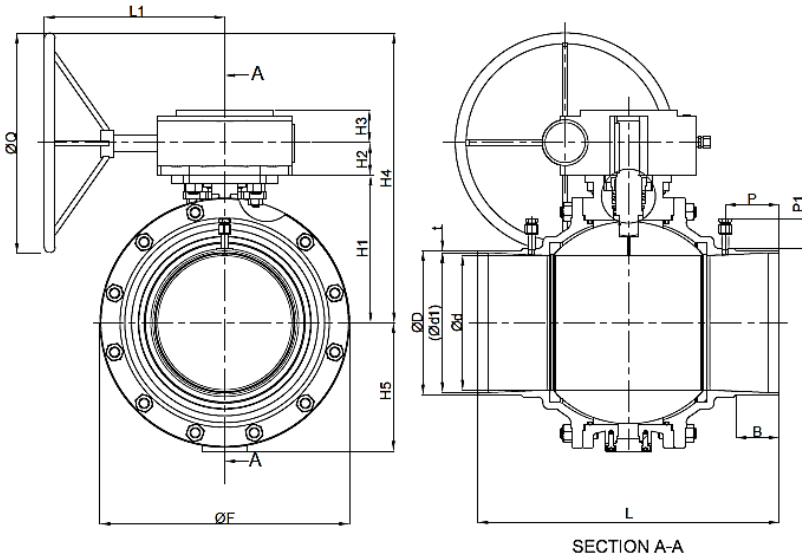
**JDV
CONTROL
VALVES**



Dimensions

(mm)

SIZE	d	d1	d2	D	t1 (5S)	t2 (10S)	L	W 1	W 2	W 3	F	B	P	P1	H1	H2	H3	H4	L1	Q	PURGE PORT	GEAR BOX	
125A	5"	125	134		139.8	2.8	-	386	10	-	-	250	65	80	37	172	44	44	356	188	280	1/4"	JWHD4
150A	6"	150	160	208.3	165.2	2.8	4.0	415	10	-	-	295	65	80	54	191	44	44	375	188	280	1/2"	JWHD4
200A	8"	200	210.7	208.3	216.3	2.8	4.0	521	5	5	10	380	80	100	54	237	44	44	421	188	280	1/2"	JWHD4
250A	10"	250	259.4	-	267.4	-	4.0	559	10	-	-	465	80	100	54	275	62.5	62.5	512.5	254	350	1/2"	JWHD6

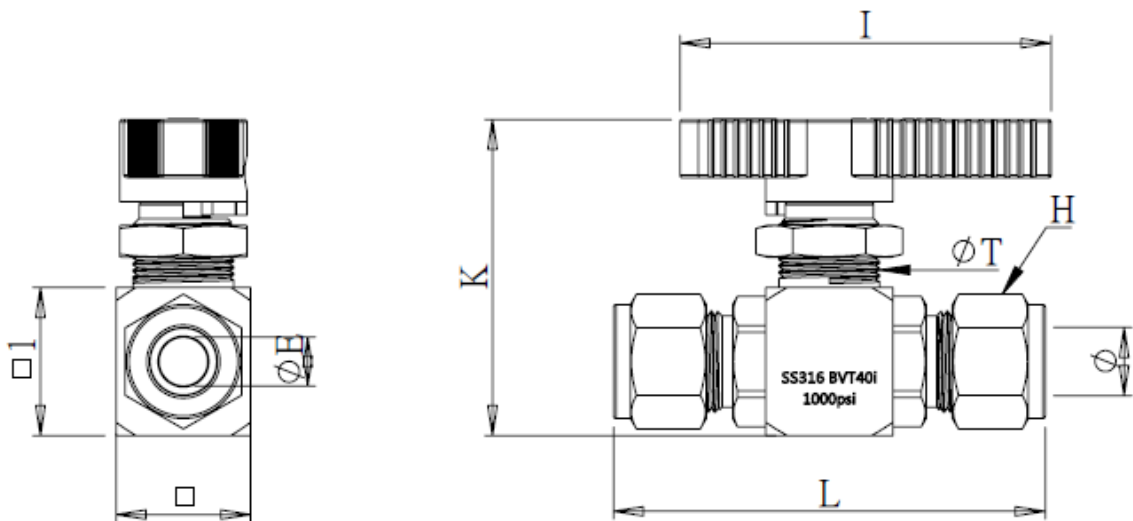


Dimensions

(mm)

SIZE	d	D1	D	t (10S)	L	W1	W2	F	B	P	P1	H1	H2	H3	H4	H5	L1	Q	PURGE PORT	GEAR BOX	
300A	12"	300	309.5	318.5	4.5	635	10	5	560	80	100	54	340	62.5	62.5	577.5	287	254	350	1/2"	JWHD6

ELK - 3 PIECE BALL VALVES SIZE 1/4"~3/4"



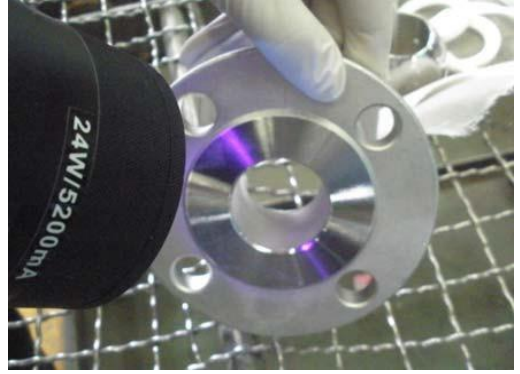
Part No	Tube OD	Panel Hole Size	Dimensions						H六角
	∅	∅T	∅E	I	K	L	□	□l	
BVT20i	1/4"	16.3	4.8	53	53.5	69	22	22	14
BVT30i	3/8"	16.3	7	53	53.5	71	22	22	17
BVT40i	1/2"	19.5	9.2	71	60	81.5	26	28	22
BVT60i	3/4"	19.5	12.6	71	65.5	86.6	32	34	28.57

High-precision cleaning process / vacuum packaging clean room

Ultrasonic Cleaning



UV Lamp Inspection



Clean Room ,Class 10,000



VOC TEST ISO 15848-2

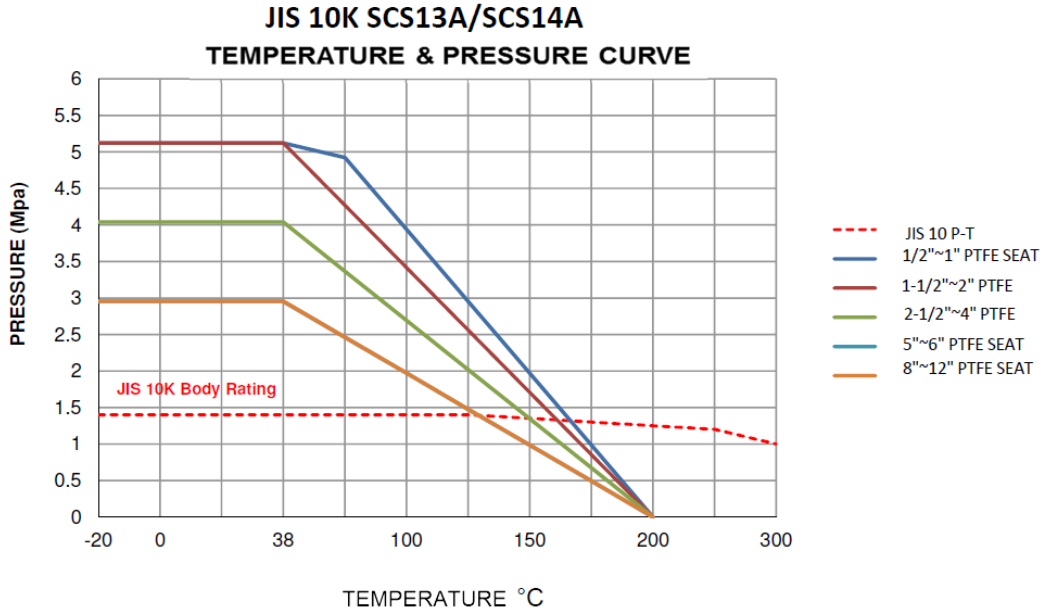


Performance



Cv VALUES

Size	DN15	DN20	DN25	DN40	DN50	DN65	DN80	DN100	DN125	DN150	DN200	DN250	DN300
	1/2"	3/4"	1"	1-1/2"	2"	2-1/2"	3"	4"	5"	6"	8"	10"	12"
Cv	27	61	114	268	501	750	1158	2118	3812	5074	9337	14590	21802



HOW TO ORDER



A. SPECIFICATION	B. BODY MAT'L	C. BALL MAT'L	D. SEAT MAT'L	E. STEM MAT'L	F. SIZE
A1 JIS 10K	02 WCB (1.0419)	A CF8 (1.4308)	P PTFE	02 304 (1.4301)	015 1/2"
A2 JIS 20K	03 CF8 (1.4308)	C CF8M (1.4408)	G G-PTFE (15% GLASS FIBER+PTFE)	03 316 (1.4401)	020 3/4"
C1 ASME CLASS 150	04 CF8M (1.4408)	D CF3 (1.4306)	C C-PTFE (15% CARBON+PTFE)	05 317 (1.4449)	025 1"
C2 ASME CLASS 300	05 CF3 (1.4306)	E CF3M (1.4409)	S S-PTFE (50% 316+PTFE)	07 304L (1.4306)	040 1-1/2"
C3 ASME CLASS 600	06 CF3M (1.4409)	F CG8M (1.4412)	T TFM-1600	08 316L (1.4404)	050 2"
D2 DIN PN16	07 CG8M (1.4412)	I CD3MN (1.4470)	E PEEK	10 S31803 (1.4462)	065 2-1/2"
D4 DIN PN40	11 LCB (1.1138)				080 3"
D5 DIN PN100	12 LCC (1.7219)				100 4"
	15 CD3MN (1.4470)				125 5"
				G. OPTION	150 6"
				F FIRE SAFE	200 8"
				L EXTENDED STEM	250 10"
				I LIVE LOADING	300 12"
				H LEVER	
				A BARE SHAFT	

HOW TO ORDER

※ Alternative materials are available on request.



■ HEADQUARTERS

NO. 6-1, QINGNIAN RD., YANGMEI DIST., TAOYUAN CITY 326, TAIWAN
TEL +886-3-4965066 FAX +886-3-4963526 E-MAIL: sales@jdv.com.tw



TGT



JDVUSA



Copyright 2023/10. All rights are reserved by JDV.
The technical data and content may be changed without prior notice.