



**JDV
CONTROL
VALVES**



ELECTRIC ACTUATOR SEZ Series





SEZ Series

ELECTRIC ACTUATOR

Major parameter:

Power: DC24V / AC24V / AC110V / AC220V /
AC380V; 50 / 60Hz

Environment temp: -20°C ~65°C

Relative humidity: < 90% (25°C)

Environment:

Without any high corrosion and explosion medium.

Working time: S2 standard, 30 min.

Input/output signal (modulation):

4~20mA (std configuration); 0~10V & 2~10V is optional.

Housing protection class:

IP67 (std configuration); IP68 are optional.

Remark: IP68 means 15m under water level and 72 hours duration time.

Feature:

Light weight—— Al alloy housing and compact design.

Ductile iron gear box creates high strength fun for SEZ3500~SEZ8000 models.

Waterproof—— Rubber seal between cover and basement to provide good waterproof function. Can be installed outdoor or submersible occasion.

Planetary gear—— Inner gear and planetary gear combination and 2nd stage transmission by worm gear and worm to realize self-lock function.

Motor overheating protection—— Inner overheat protective component can automatically shut power off to prevent motor from damage when actuator over torque.

3D indicator—— Special and high strength plastic material achieves longer life. 3D indicator function creates 360° visual angle.

Operation convenience—— Direct manual operation without any clutch to prevent user from injury.



QUARTER TURN ELECTRIC ACTUATOR: AC110V, AC220V & AC380V, DC220

Model	Power (W)	Max output torque (N-m)		Open/close time (Sec)	ISO5211	Weight (kg)	Remark
	AC110V AC220V AC380V	AC110V AC220V 50Hz 1 Phase	AC220V AC380V 50Hz 3 Phases	AC110V AC220V AC380V 50Hz			
SEZ0035	10	35		11	F03&F05&F07	3	Square-wrench head or handwheel
SEZ0050	15	50		15	F03&F05&F07	3	
SEZ0080	15	80		22	F03&F05&F07	3.6	Handwheel and planetary gear design
SEZ0100	40	100	100	19	F05 or F07	11	
SEZ0200	40	200	200	39	F07 or F10	11	
SEZ0400	90	400	400	29	F10	22	
SEZ0600	90	600	600	39	F10 or F12	22	
SEZ0800	90	800	800	47	F12	22	
SEZ1000	120	1000	1000	47	F12 or F14	22	
SEZ1700	200	1700	1700	34	F12 or F14	36	
SEZ2300	200	2300	2300	47	F12 or F14 or F16	36	
SEZ3500	200	3500	3500	76	F14 or F16	76	
SEZ5000	200	5000	5000	105	F16	76	
SEZ8000	200	8000	8000	143	F25	107	
SEZ4500	1500		4500	52	F16 or F25	81	
SEZ7000	2250		7000	52	F16 or F25	84	

Remark: Standard configuration

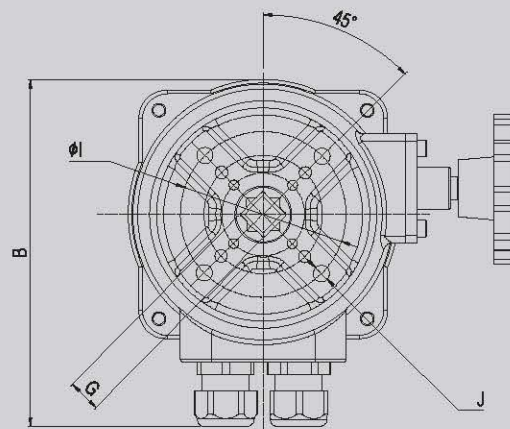
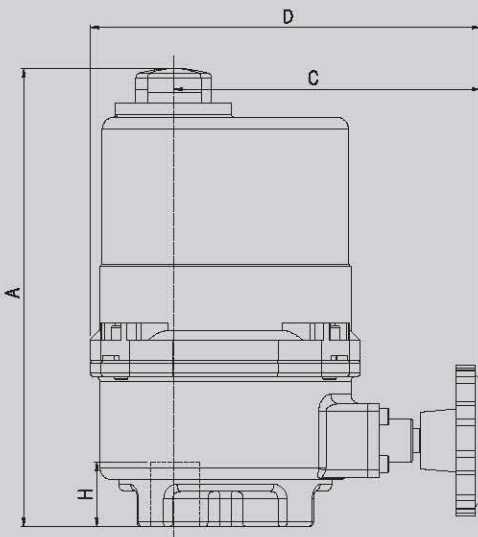
1. Electric actuators standard factory color is red, the handle is black.
2. The external regulation electric actuator control signal standard factory set to 4-20 ma, if you need other signal specification, please contact with the company.
3. On/off type actuators adopt dry contact to indicate actuator position condition of fully open and fully close. For modulating type this contact is optional function.
4. Adopting heating resistance to reduce moisture within housing.
5. For all 3 phases power actuators, torque switch mechanism is adopted to avoid over torque output.
6. Motor protection level meets class F insulation.
7. The operation time of 60Hz is 5/6 of that of 50HZ, and the maximum output torque is same.
8. Upper list, SEZ0035、SEZ0050、SEZ0080 without AC380V/3 phases power function.



QUARTER TURN ELECTRIC ACTUATOR AC24V & DC24V

Model	Power (W)		Max output torque (N-m)		Open/close time (Sec)				ISO5211	Weight (kg)	Remark
	AC24V	DC24V	AC24V 50Hz 1 Phase	DC24V	AC24V 50Hz	DC24V	Battery return				
							AC24V 50Hz	DC24V			
SEZ0035	10	10	35	35	11	8	6	8	F03 & F05 & F07	3	Square-wrench head or handwheel
SEZ0050	15	10	50	50	15	10	8	10	F03 & F05 & F07	3	
SEZ0080	15	15	80	80	22	15	11	15	F03 & F05 & F07	3.6	Handwheel
SEZ0100	40	25	100	100	19	14	10	14	F05 or F07	11	Handwheel and planetary gear design
SEZ0200	40	25	200	200	39	28	20	28	F07 or F10	11	
SEZ0400	90	40	400	400	29	21	15	21	F10	22	
SEZ0600	90	40	600	600	39	28	20	28	F10 or F12	22	
SEZ0800	90	40	800	800	47	34	24	34	F12	22	
SEZ1000	120	50	1000	1000	47	34	24	34	F12 or F14	22	
SEZ1700		90		1700	34	25	18	25	F12 or F14	36	
SEZ2300		90		2300	47	34	24	34	F12 or F14 or F16	36	
SEZ3500		90		3500	76	55	39	55	F14 or F16	76	
SEZ5000		90		5000	105	76	54	76	F16	76	
SEZ8000		90		8000	143	103	74	103	F25	107	

SEZ0035/SEZ0050/ SEZ0080 ON/OFF TYPE



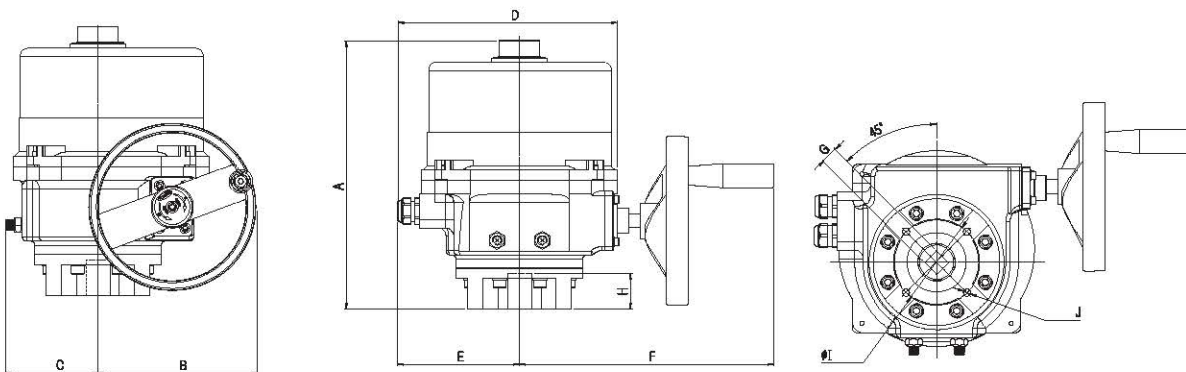
DIMENSION

Model	A	B	C	D	E	F	G	H	φ 1	J	Remarks
SEZ0035	on/off type Modulating	188	145	108	165		11*11	20	36	4-M5	Manual Handwheel
SEZ0050		194					11*11or14*14		50	4-M6	
SEZ0080							14*14		70	4-M8	
SEZ0100	265	123	79	216	120	240	14*14	35	70	4-M8	
SEZ0200	265	123	79	216	120	240	17*17	35	70	4-M8	
									120	4-M10	
SEZ0400	321	187	103	262	150	297	22*22	55	102	4-M10	
SEZ0600	321	187	103	262	150	297	22*22 27*27	55	102	4-M10	
									125	4-M12	
SEZ0800	321	187	103	262	150	297	27*27	55	125	4-M12	
SEZ1000	321	187	103	262	161	297	27*27	55	125	4-M12	
									140	4-M16	
SEZ1700	378	241	119	293	161	346	27*27	65	125	4-M12	
									140	4-M16	
SEZ2300	378	241	119	293	161	346	36*36	65	125	4-M12	
									140	4-M16	
									165	4-M20	
SEZ3500	532	359	226	293	161	346	40*40	85	140	4-M16	
									165	4-M20	
SEZ5000	532	359	226	293	161	346	46*46	85	165	4-M20	
SEZ8000	537	400	343	293	161	324	50*50	130	254	8-M16	

Remark:

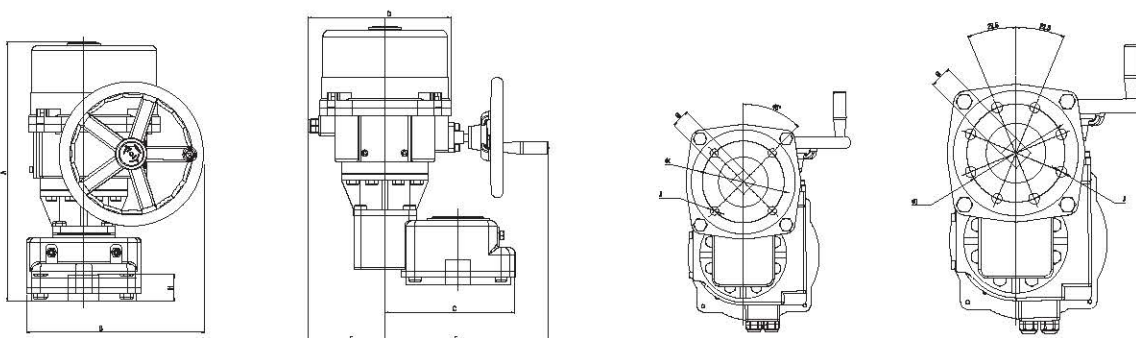
- 1.The upper “G” is suggestive square-hole, can be decided by customer.
- 2.“φ1” & “J” dimension follow ISO5211 std. Only one row data can be chosen.

SEZ100~SEZ2300



SEZ3500~SEZ8000

SEZ3500~SEZ5000 SEZ8000





**JDV
CONTROL
VALVES**

SEZ0100~SEZ8000——BATTERY RETURN SERIES

Major parameter:

Power: AC/DC24V standard, transformer or power adapter is needed when power is AC110/ 220V(200VA for EOM2&3; 250VA for EOM4~7; 750VA for EOM8&9)

Environment temp: -20°C ~65°C

Related humidity: < 90% (25°C)

Environment: Without any high corrosion and explosion medium.

Working time: S2 standard, 60 min

Input/output signal: 4~20mA / 2~10V / 0~10V input / output (modulating type); on / off control signal (on / off type)

Housing protection class: IP67 (std configuration); IP68 are optional.

Battery parameters:

DC24V 2250mAH (below SEZ1000); 4500mAH (SEZ1700 & SEZ2300)

Power failure modes: totally open, totally close, remains unchanged (can be set inside actuator or by an external control signal)

Running cycle: >5 (open * close * open) cycles after power loss.

Charging time: 5 hours

Remark: IP68 means 15m under water level and 72 hours duration time.

Feature:

Light weight——Al alloy housing and compact design.

Waterproof——Rubber seal between cover and basement to provide good waterproof function, Can be installed outdoor or submersible occasion.

Planetary gear——internal gear and planetary gear combinations and manual transmission by worm to realize self-lock function.

3 D indicator——Special plastic material with long life. 3D indicator function creates 360° visual angle.

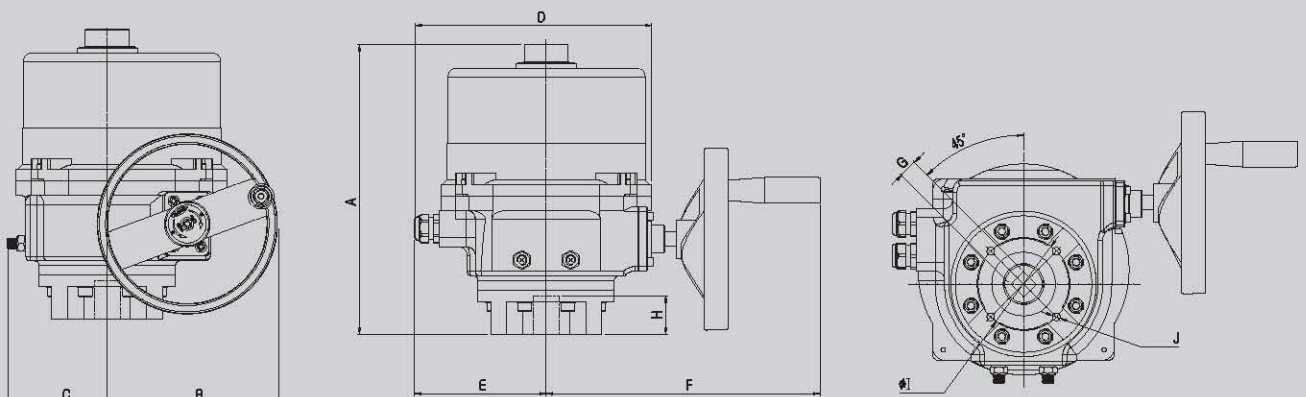
Multi power input——Either AC24V or DC24V power is allowed.

Operation convenience——Direct manual operation without any clutch to prevent user from injury.

Safety——When power failure occurs, actuator position mode can be preset to "totally open" or "totally close" or "remain unchanged."

High performance lithium——Using imported rechargeable lithium batteries, with large capacity, long life and high output power. It's environment-friendly. with high efficiency and energy saving.

SEZ0100~2300



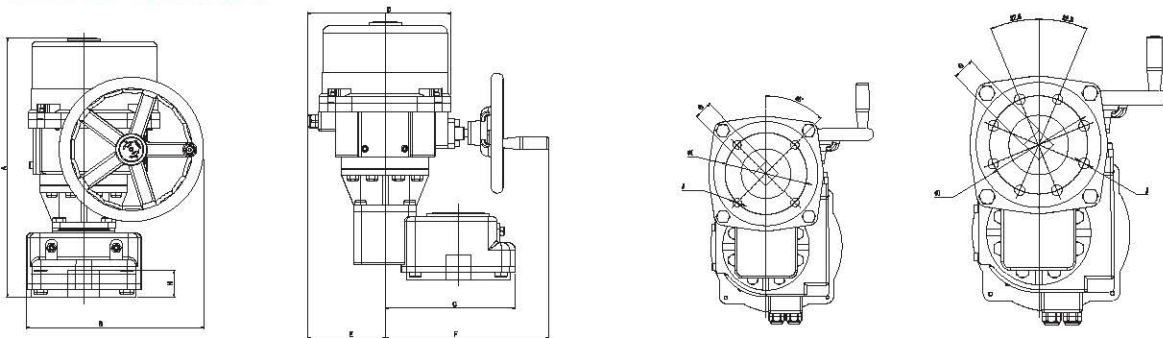
DIMENSION

Model	A	B	C	D	E	F	G	H	φ 1	J	Remark
SEZ0100	265	217	79	216	120	240	14*14 17*17	35	70	4-M8	Without clutch Operation
SEZ0200	265	217	79	216	120	240	14*14 17*17		70	4-M8	
SEZ0400	321	206	103	262	150	297	22*22	55	102	4-M10	
SEZ0600	321	206	103	262	150	297	22*22 27*27		102	4-M10	
SEZ0800	321	206	103	262	150	297	27*27		125	4-M12	
SEZ1000	321	206	103	262	150	297	27*27		125	4-M12	
SEZ1700	378	241	119	293	161	346	27*27		140	4-M16	
SEZ2300	378	241	119	293	161	346	36*36	65	125	4-M12	
									140	4-M16	
									165	4-M20	

Remark:

1. The upper "G" is suggestive square-hole, can be decided by customer.
2. "φ1" & "J" dimension follow ISO5211 std. Only one row data can be chosen.

SEZ3500~SEZ8000



DIMENSION

Model	A	B	C	D	E	F	G	H	φ 1	J	Remark
SEZ3500	532	359	226	293	161	346	40*40	85	140	4-M16	Without clutch Operation
SEZ5000	532	116	215	293	302	182	46*46		165	4-M20	
SEZ8000	543	160	242	293	343	168	55*55	115	254	8-M16	

Remark:

1. The upper "G" is suggestive square-hole, can be decided by customer.
2. "φ1" & "J" dimension follow ISO5211 std. Only one row data can be chosen.

ELECTRIC HEAD ALTERNATIVES

1	Passive contact/passive dry contact (standard) for external regulation points out special switch mode
2	Half external regulation (standard 1 kq potentiometer signal)
3	Relay device
4	Over-torque mechanism (380 vac is standard, the other is not)
5	IP68 protection(IP67 standard)
6	Remote control near point
7	Intelligent integration
8	LED display



■ HEADQUARTERS

No. 6-1, Qingnian Rd., Yangmei City, Taoyuan County 326, Taiwan

Tel: +886-3-4965066

Fax: +886-3-4963526

E-MAIL: sales@jdv.com.tw



Copyright 2014/11. All rights are reserved by JDV.
The technical date and content may be changed without prior notice.